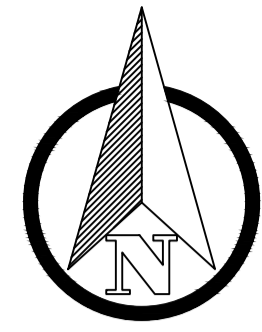
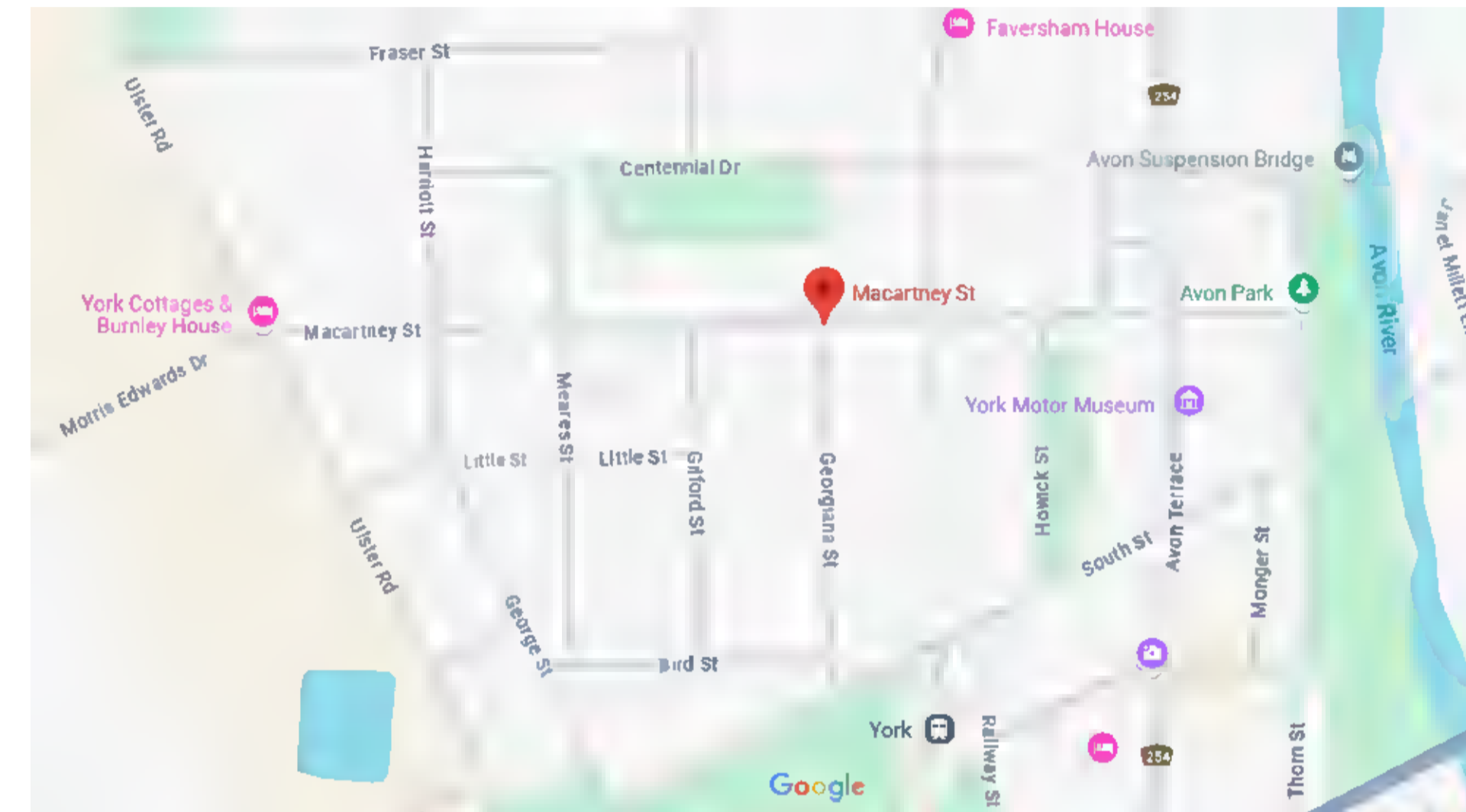
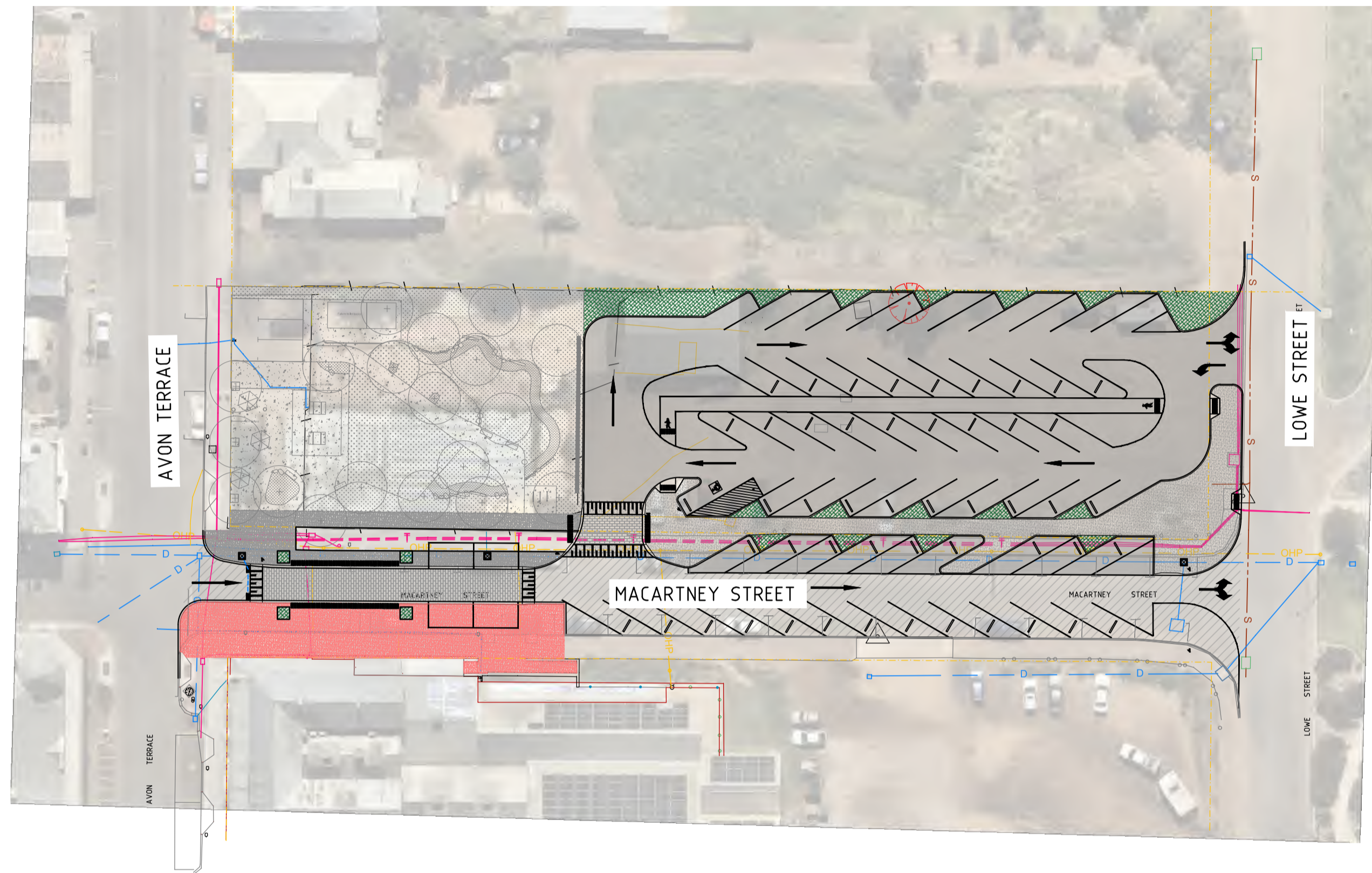


Printed by Armond Bester on 21/02/2025 08:58 PM  
 FILENAME: \\SERVER\TALES\SECTIONS\ENGINEERING\PROJECTS\TC25003 - YORK MACARTNEY ST DESIGN\DRAWINGS\1. DRAWINGS\TC25003.DWG



# SHIRE OF YORK MACARTNEY ST



Sheet List Table	
Sheet Number	Sheet Title
C-000	Cover Page
C-001	Existing Topography
C-002	Existing Services
C-101	General Arrangement Stage 1
C-102	General Arrangement Stage 2
C-105	Finished Levels Layout Stage 1
C-106	Finished Levels Layout Stage 2
C-111	Signs and Lines Stage 2
C-110	Signs and Lines Stage 1
C-120	Swept Paths
C-200	Cross sections Combined stages
C-301	Typical Details Sheet 1
C-302	Typical Details Sheet 2

**DETAILED DESIGN**  
NOT FOR CONSTRUCTION



SURVEY REFERENCE: JUROVICH  
 DATE: 19.02.2025  
 VERTICAL DATUM: AUSTRALIAN HEIGHT DATUM  
 HORIZONTAL DATUM: MGA 2020 ZONE 50



**NOTES**

- This drawing is the property of Talis Consultants Pty Ltd. It is a confidential document and must not be copied, used, or its contents divulged without prior written consent.
- DO NOT SCALE, use figured dimensions only, if in doubt please contact Talis Consultants.
- Parts of this drawing is intended to be IN COLOUR. Black & White Printing may cause errors or omissions. If this text is not GREEN, please contact Talis Consultants

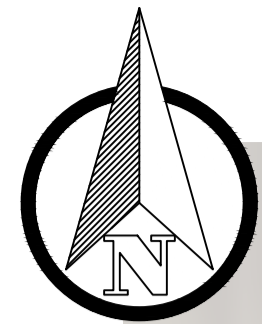
No.	Date	By	App.	Amendment / Issue
B	10.10.2025	AB	PG	DETAILED DESIGN
A	10.03.2025	JS	AB	PRELIMINARY ISSUE

Project: **YORK MACARTNEY ST DESIGN**

Title: **COVER PAGE**

Scale: 1:250	© A1	Date: 10.03.2025
Drawn: JS	Checked: AB	Approved:
Job No: TC25003	Drg. No: C-000	Rev: B
Filename: TC25003.DWG		

FILENAME: \\SERVER\TALIS\SECTIONS\ENGINEERING\PROJECTS\TC25003 - YORK MACARTNEY ST DESIGN\DRAWINGS\1.DRAWINGS\TC25003.DWG  
 Printed by Almond Bester on 21/02/2025 08:58 PM



**LEGEND:**

- EXISTING TELSTRA LINE
- EXISTING DRAINAGE
- EXISTING WATER LINE
- EXISTING SEWER LINE
- EXISTING ELECTRIC POWER
- EXISTING GRATED PITS
- EXISTING TREES
- EXISTING CENTRELINE
- EXISTING FENCE
- EXISTING CONTOUR
- EXISTING TOP OF BANK
- EXISTING BOTTOM OF BANK
- EXISTING SIGNS
- EXISTING BOLLARDS

**DETAILED DESIGN**  
 NOT FOR CONSTRUCTION



SURVEY REFERENCE: JUROVICH  
 DATE: 19.02.2025  
 VERTICAL DATUM: AUSTRALIAN HEIGHT DATUM  
 HORIZONTAL DATUM: MGA 2020 ZONE 50



**NOTES**

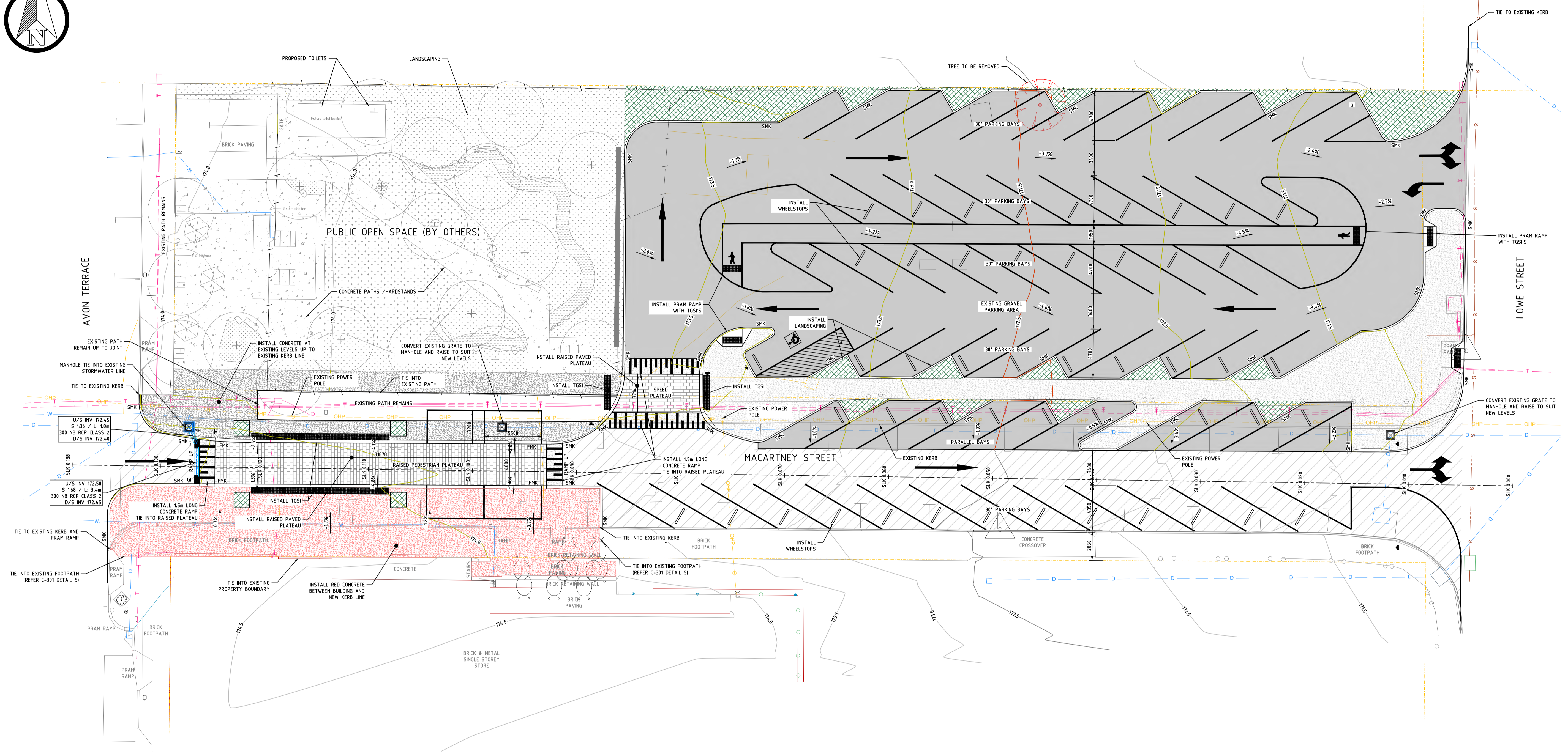
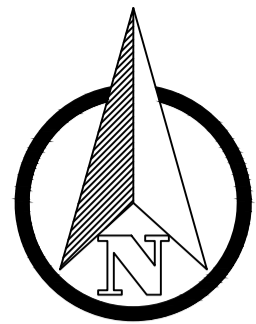
1. This drawing is the property of Talis Consultants Pty Ltd. It is a confidential document and must not be copied, used, or its contents divulged without prior written consent.
2. DO NOT SCALE, use figured dimensions only, if in doubt please contact Talis Consultants.
3. Parts of this drawing is intended to be IN COLOUR. Black & White Printing may cause errors or omissions. If this text is not GREEN, please contact Talis Consultants

No.	Date	By	App.	Amendment / Issue
B	10.10.2025	AB	PG	DETAILED DESIGN
A	10.03.2025	JS	AB	PRELIMINARY ISSUE

Project: **YORK MACARTNEY ST DESIGN**  
 Title: **EXISTING SERVICES**

Scale: 1:250 @ A1 Date: 10.03.2025  
 Drawn: JS Checked: AB Approved:  
 Job No: TC25003 Drg. No: C-002 Rev: B  
 Filename: TC25003.DWG

Printed by Armand Bester on 21/02/2025 02:11 PM  
 FILENAME: \\SERVER\TALES\SECTIONS\ENGINEERING\PROJECTS\TC25003 - YORK MACARTNEY ST DESIGN\DRAWINGS\1\TC25003.DWG



**LEGEND:**

- EXISTING TREES
- EXISTING TELSTRA LINE
- EXISTING DRAINAGE
- EXISTING WATER LINE
- EXISTING SEWER LINE
- EXISTING ELECTRIC POWER
- EXISTING CENTRELINE
- EXISTING FENCE
- EXISTING CONTOUR
- EXISTING TOP OF BANK
- EXISTING BOTTOM OF BANK
- EXISTING SIGNS
- EXISTING BOLLARDS
- EXISTING GRATED PITS
- EXISTING SEAL TO REMAIN
- PAVEMENT TYPE 1
- RED CONCRETE
- GREY CONCRETE
- PAVED AREAS
- LANDSCAPED AREAS
- GRATED PIT
- SIDE ENTRY PIT
- MANHOLE
- SEMI MOUNTABLE KERB
- BARRIER KERB
- FLAT MOUNTABLE KERB

**DETAILED DESIGN  
NOT FOR CONSTRUCTION**



SURVEY REFERENCE: JURUVICH  
 DATE: 19.02.2025  
 VERTICAL DATUM: AUSTRALIAN HEIGHT DATUM  
 HORIZONTAL DATUM: MGA 2020 ZONE 50



**NOTES**

1. This drawing is the property of Talis Consultants Pty Ltd. It is a confidential document and must not be copied, used, or its contents divulged without prior written consent.
2. DO NOT SCALE, use figured dimensions only, if in doubt please contact Talis Consultants.
3. Parts of this drawing is intended to be IN COLOUR. Black & White Printing may cause errors or omissions. If this text is not GREEN, please contact Talis Consultants

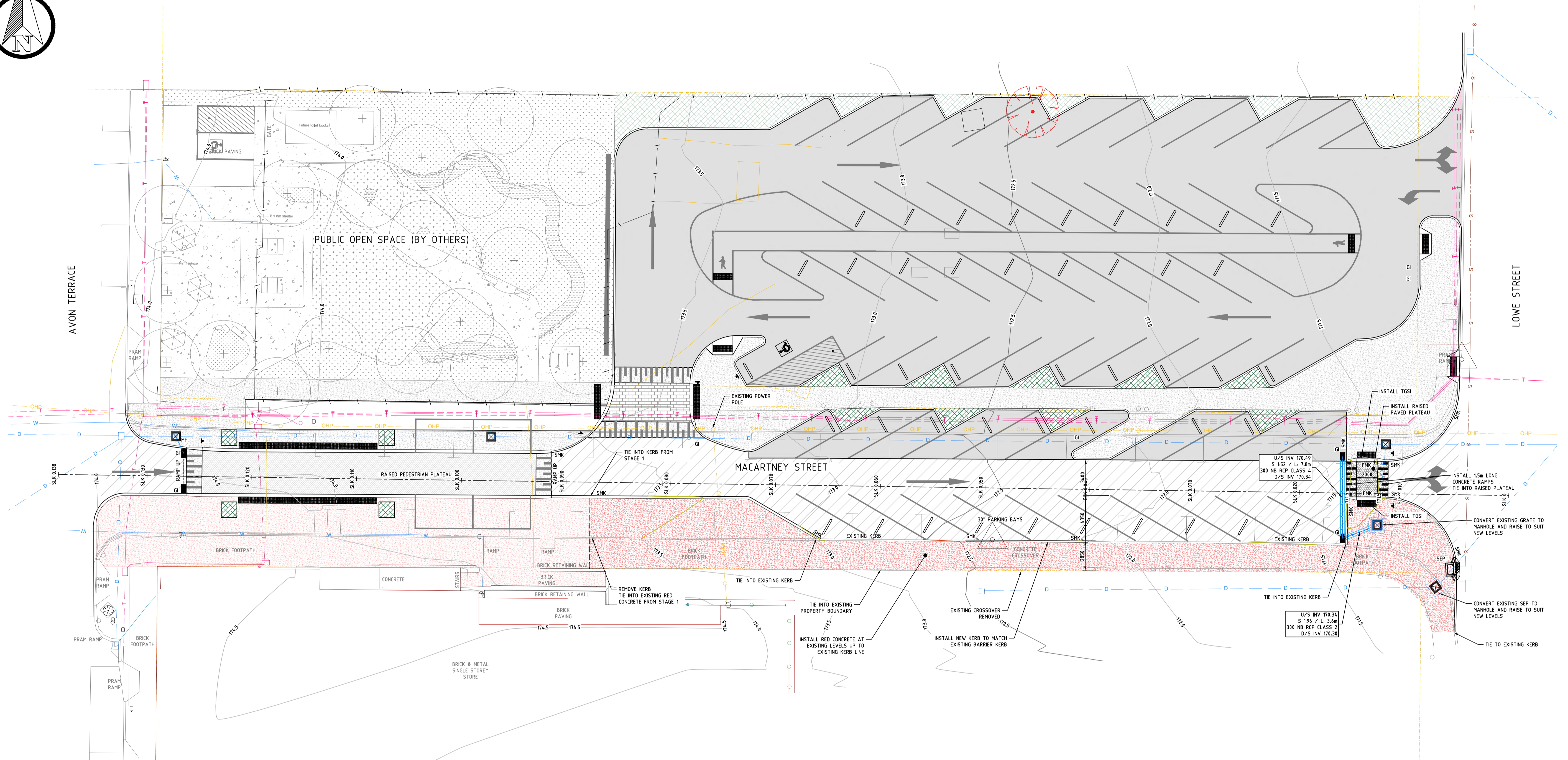
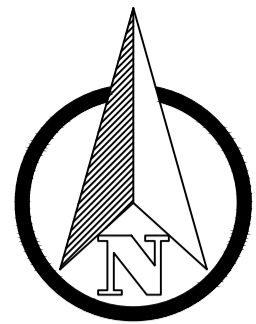
No.	Date	By	Check	Amendment / Issue	App.
E	10.10.2025	AB	PG	DETAILED DESIGN	PG
D	11.09.2025	AB	PG	CONCEPT UPDATED	
C	25.08.2025	AB	PG	CONCEPT UPDATED	
B	09.04.2025	AB	PG	CONCEPT UPDATED	
A	10.03.2025	JS	AB	PRELIMINARY ISSUE	

Project: **YORK MACARTNEY ST DESIGN**

Title: **GENERAL ARRANGEMENT STAGE 1**

Scale: 1:200	@ A1	Date: 10.03.2025
Drawn: JS	Checked: AB	Approved:
Job No: TC25003	Drg. No: C-101	Rev: E
Filename: TC25003.DWG		

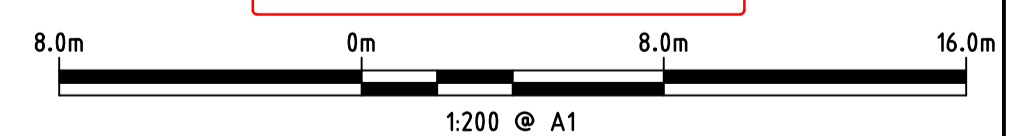
Printed by Almond Bester on 21/02/2025 08:58 PM  
 FILENAME: \\SERVER\TALIS\SECTIONS\ENGINEERING\PROJECTS\TC25003 - YORK MACARTNEY ST DESIGN\DRAWINGS\1.DRAWINGS\1.TC25003.DWG



**LEGEND:**

- EXISTING TREES
- EXISTING TELSTRA LINE
- EXISTING DRAINAGE
- EXISTING WATER LINE
- EXISTING SEWER LINE
- EXISTING ELECTRIC POWER
- EXISTING CENTRELINE
- EXISTING FENCE
- EXISTING CONTOUR
- EXISTING TOP OF BANK
- EXISTING BOTTOM OF BANK
- EXISTING SIGNS
- EXISTING BOLLARDS
- EXISTING GRATED PITS
- EXISTING SEAL TO REMAIN
- PAVEMENT TYPE 1
- RED CONCRETE
- GREY CONCRETE
- PAVED AREAS
- LANDSCAPED AREAS
- GRATED PIT
- SIDE ENTRY PIT
- MANHOLE
- SEMI MOUNTABLE KERB
- BARRIER KERB
- FLAT MOUNTABLE KERB

**DETAILED DESIGN  
NOT FOR CONSTRUCTION**



SURVEY REFERENCE: JURUVICH  
 DATE: 19.02.2025  
 VERTICAL DATUM: AUSTRALIAN HEIGHT DATUM  
 HORIZONTAL DATUM: MGA 2020 ZONE 50



**NOTES**

- This drawing is the property of Talis Consultants Pty Ltd. It is a confidential document and must not be copied, used, or its contents divulged without prior written consent.
- DO NOT SCALE, use figured dimensions only, if in doubt please contact Talis Consultants.
- Parts of this drawing is intended to be IN COLOUR. Black & White Printing may cause errors or omissions. If this text is not GREEN, please contact Talis Consultants

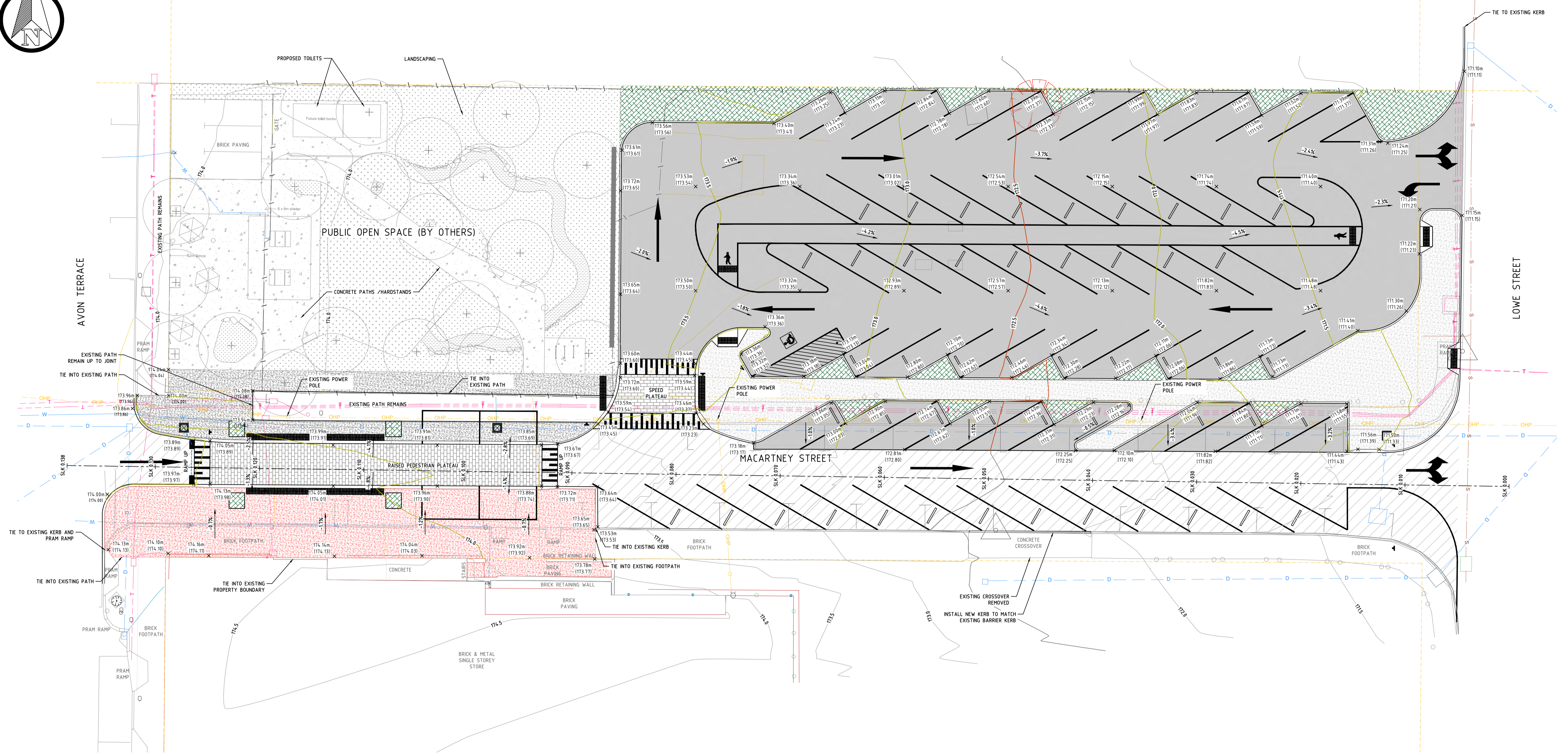
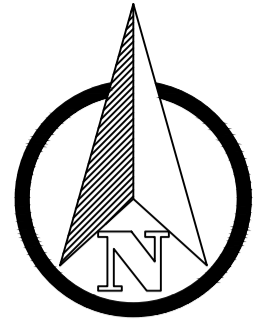
No.	Date	By	Issue	App.
E	10.10.2025	AB	PG	PG
D	11.09.2025	AB	PG	PG
C	25.08.2025	AB	PG	PG
B	09.04.2025	AB	PG	PG
A	10.03.2025	JS	AB	PG

Project: **YORK MACARTNEY ST DESIGN**

Title: **GENERAL ARRANGEMENT STAGE 2**

Scale: 1:200	@ A1	Date: 10.03.2025
Drawn: JS	Checked: AB	Approved:
Job No: TC25003	Drg. No: C-102	Rev: E
Filename: TC25003.DWG		

Printed by Almond Bester on 21/02/2025 08:38 PM  
 FILENAME: \\SERVER\TALES\SECTIONS\ENGINEERING\PROJECTS\TC25003 - YORK MACARTNEY ST DESIGN\DRAWINGS\1\DRAWINGS\TC25003.DWG

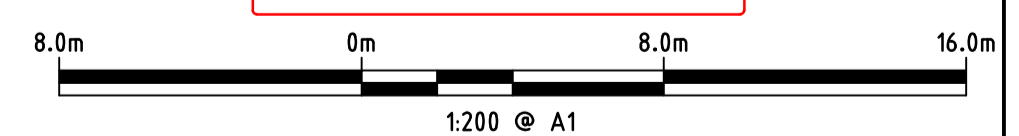


**LEGEND:**

- EXISTING TREES
- EXISTING TELSTRA LINE
- EXISTING DRAINAGE
- EXISTING WATER LINE
- EXISTING SEWER LINE
- EXISTING ELECTRIC POWER
- EXISTING CENTRELINE
- EXISTING FENCE
- EXISTING CONTOUR
- EXISTING TOP OF BANK
- EXISTING BOTTOM OF BANK
- EXISTING SIGNS
- EXISTING BOLLARDS
- EXISTING GRATED PITS

- EXISTING SEAL TO REMAIN
- PAVEMENT TYPE 1
- RED CONCRETE
- GREY CONCRETE
- PAVED AREAS
- LANDSCAPED AREAS
- GRATED PIT
- SIDE ENTRY PIT
- MANHOLE

**DETAILED DESIGN  
NOT FOR CONSTRUCTION**



SURVEY REFERENCE: JURUVICH  
 DATE: 19.02.2025  
 VERTICAL DATUM: AUSTRALIAN HEIGHT DATUM  
 HORIZONTAL DATUM: MGA 2020 ZONE 50



**NOTES**

1. This drawing is the property of Talis Consultants Pty Ltd. It is a confidential document and must not be copied, used, or its contents divulged without prior written consent.
2. DO NOT SCALE, use figured dimensions only, if in doubt please contact Talis Consultants.
3. Parts of this drawing is intended to be IN COLOUR. Black & White Printing may cause errors or omissions. If this text is not GREEN, please contact Talis Consultants

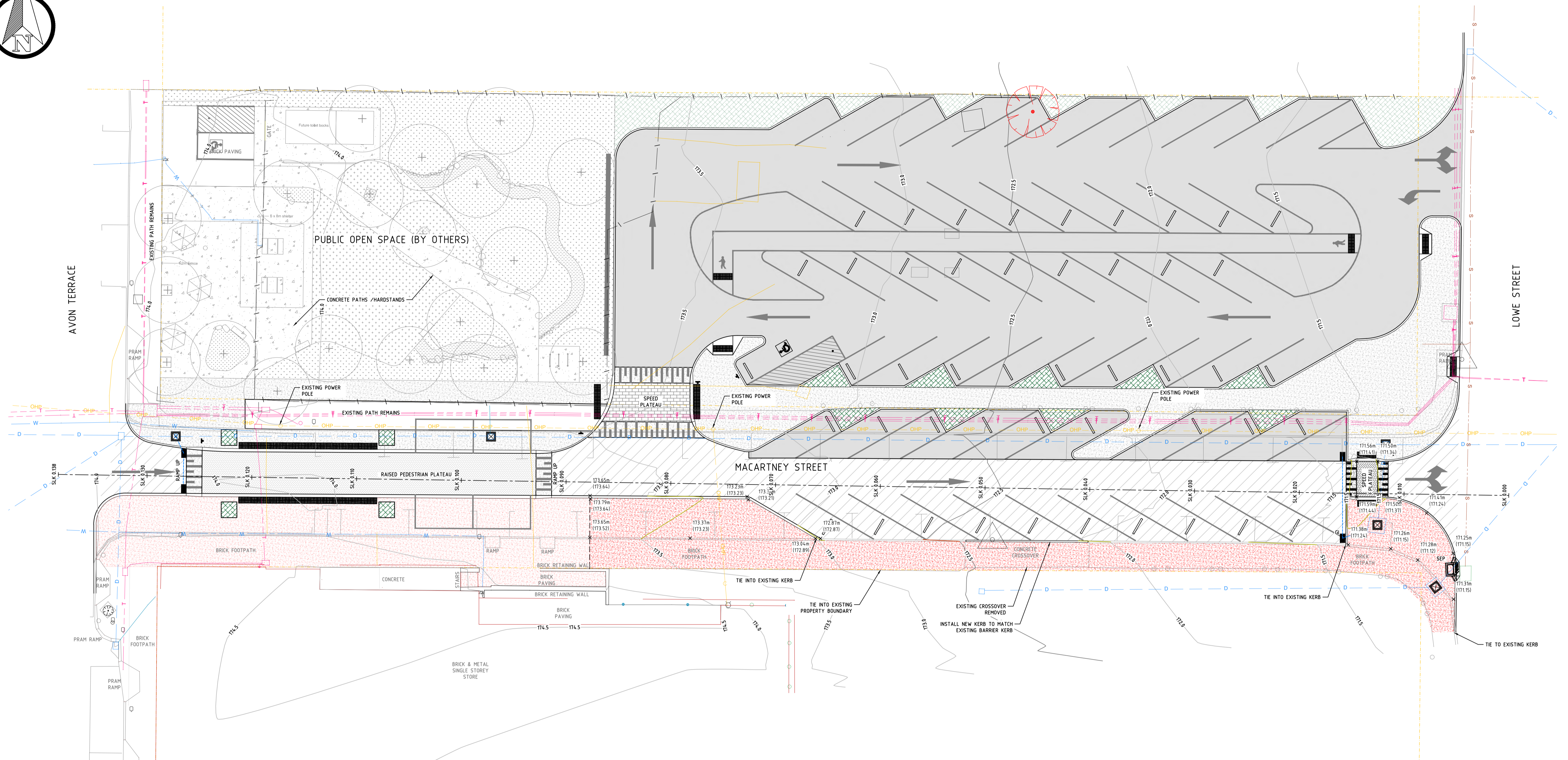
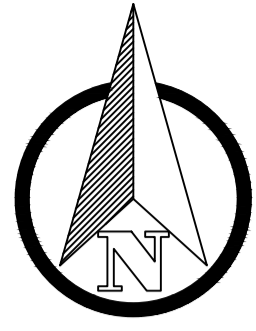
No.	Date	By	Issue	App.
A	10.10.2025	AB	PG DETAILED DESIGN	PG

Project: **YORK MACARTNEY ST DESIGN**

Title: **FINISHED LEVELS LAYOUT STAGE 1**

Scale: 1:200	@ A1	Date: 10.03.2025
Drawn: JS	Checked: AB	Approved:
Job No: TC25003	Drg. No: C-105	Rev: A
Filename: TC25003.DWG		

FILENAME: \\SERVER\TALES\SECTIONS\ENGINEERING\PROJECTS\TC25003 - YORK MACARTNEY ST DESIGN\DRAWINGS\1.DRAWINGS\TC25003.DWG  
 Printed by Almond Bester on 21/02/2025 08:58 PM



**LEGEND:**

- EXISTING TREES
- EXISTING TELSTRA LINE
- EXISTING DRAINAGE
- EXISTING WATER LINE
- EXISTING SEWER LINE
- EXISTING ELECTRIC POWER
- EXISTING CENTRELINE
- EXISTING FENCE
- EXISTING CONTOUR
- EXISTING TOP OF BANK
- EXISTING BOTTOM OF BANK
- EXISTING SIGNS
- EXISTING BOLLARDS
- EXISTING GRATED PITS
- EXISTING SEAL TO REMAIN
- PAVEMENT TYPE 1
- RED CONCRETE
- GREY CONCRETE
- PAVED AREAS
- LANDSCAPED AREAS
- GRATED PIT
- SIDE ENTRY PIT
- MANHOLE

**DETAILED DESIGN**  
 NOT FOR CONSTRUCTION



SURVEY REFERENCE: JURUVICH  
 DATE: 19.02.2025  
 VERTICAL DATUM: AUSTRALIAN HEIGHT DATUM  
 HORIZONTAL DATUM: MGA 2020 ZONE 50



**NOTES**

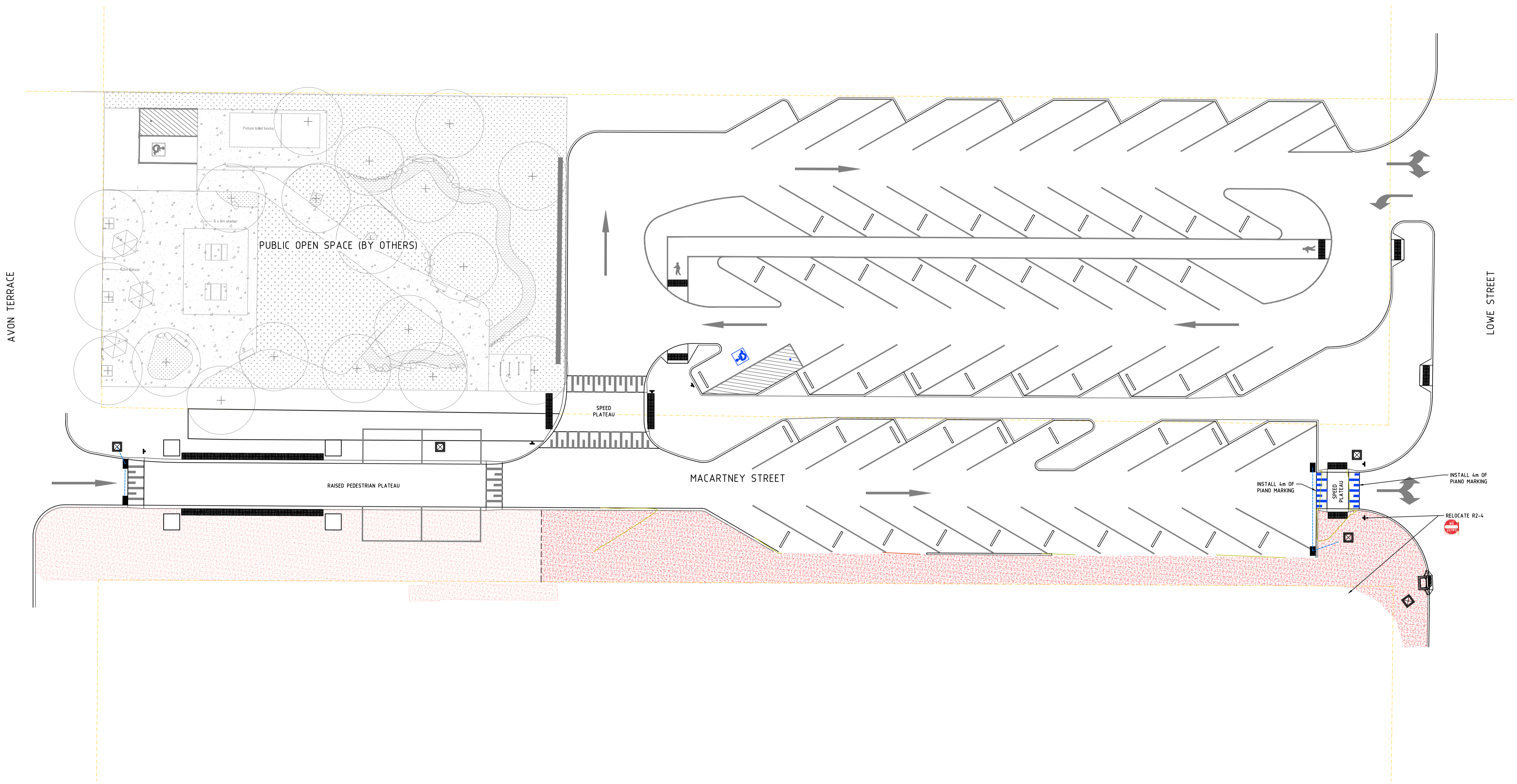
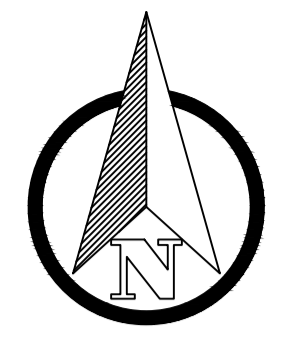
- This drawing is the property of Talis Consultants Pty Ltd. It is a confidential document and must not be copied, used, or its contents divulged without prior written consent.
- DO NOT SCALE, use figured dimensions only, if in doubt please contact Talis Consultants.
- Parts of this drawing is intended to be IN COLOUR. Black & White Printing may cause errors or omissions. If this text is not GREEN, please contact Talis Consultants

No.	Date	By	App.	Amendment / Issue
A	10.10.2025	AB	PG	DETAILED DESIGN

Project: YORK MACARTNEY ST DESIGN  
 Title: FINISHED LEVELS LAYOUT STAGE 2

Scale: 1:200 @ A1 Date: 10.03.2025  
 Drawn: JS Checked: AB Approved:  
 Job No: TC25003 Drg. No: C-106 Rev: A  
 Filename: TC25003.DWG





- NOTES:**
1. ALL LINE MARKING SHALL BE WHITE UNLESS NOTED OTHERWISE.
  2. ALL LINE MARKING SHALL BE SLIP RESISTANT PAINT UNLESS NOTED OTHERWISE.
  3. ALL LINE MARKING SHALL BE INSTALLED IN ACCORDANCE WITH AS 1742.2
  4. LINE MARKING FOR ACROSS PARKING BAYS SHALL BE INSTALLED IN ACCORDANCE WITH AS/NZS 2890.6.

**DETAILED DESIGN**  
NOT FOR CONSTRUCTION



SURVEY REFERENCE: JUROVICH  
DATE: 19.02.2025  
VERTICAL DATUM: AUSTRALIAN HEIGHT DATUM  
HORIZONTAL DATUM: MGA 2020 ZONE 50



**NOTES**

1. This drawing is the property of Talis Consultants Pty Ltd. It is a confidential document and must not be copied, used, or its contents divulged without prior written consent.
2. DO NOT SCALE, use figured dimensions only, if in doubt please contact Talis Consultants.
3. Parts of this drawing is intended to be IN COLOUR. Black & White Printing may cause errors or omissions. If this text is not GREEN, please contact Talis Consultants.

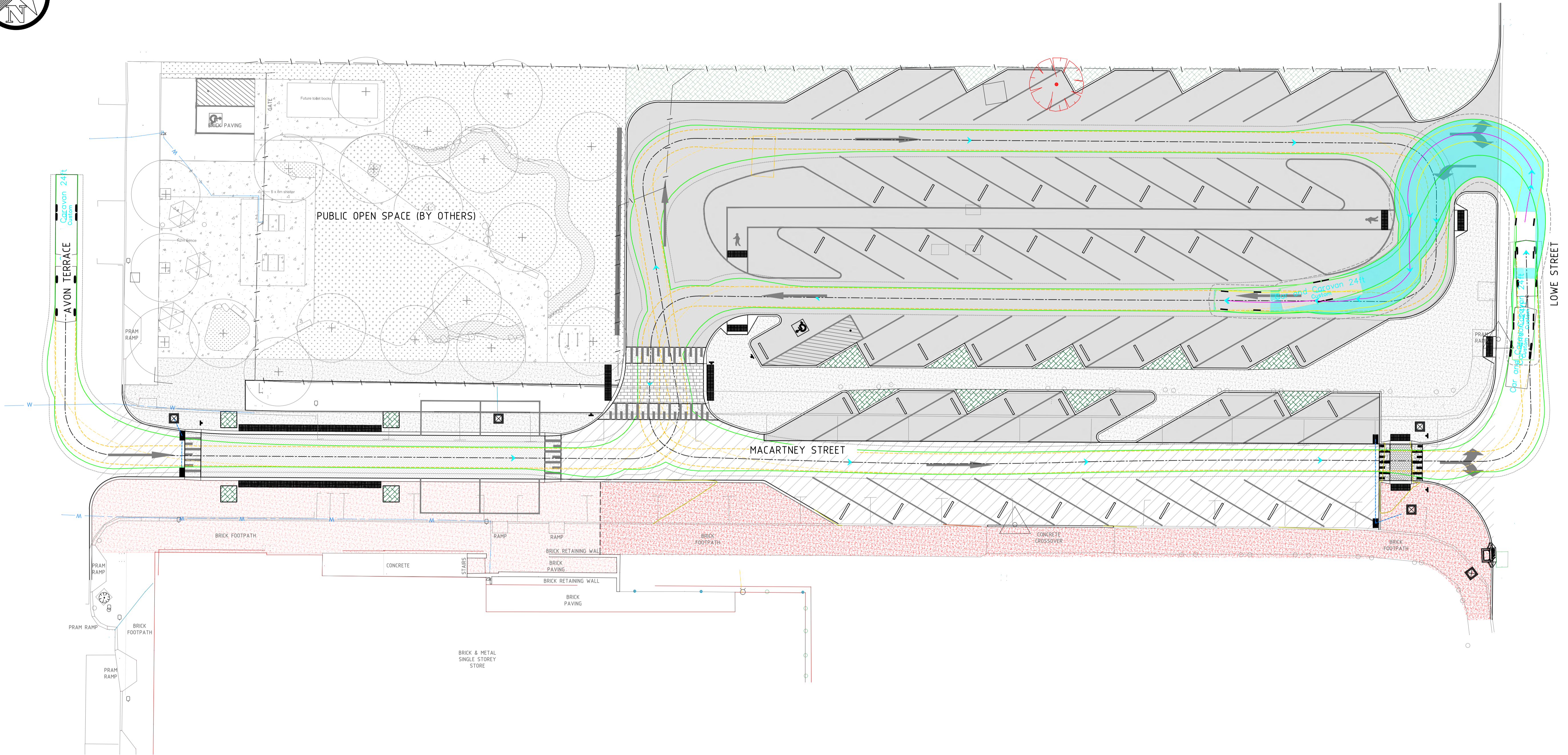
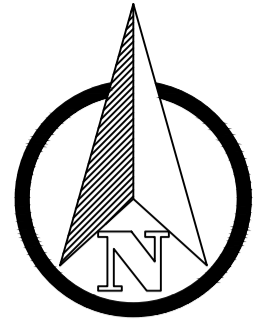
No.	Date	By	App.	Amendment / Issue	App.
A	10.10.2025	AB	PG	DETAILED DESIGN	PG

Project: **YORK MACARTNEY ST DESIGN**

Title: **SIGNS AND LINES STAGE 2**

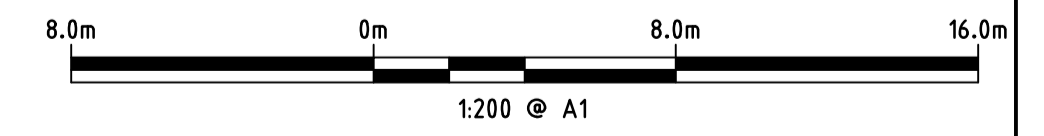
Scale: 1:200	© A1	Date: 10.03.2025
Drawn: JS	Checked: AB	Approved:
Job No: TC25003	Drg. No: C-111	Rev: A
Filename: TC25003.DWG		

FILENAME: \\SERVER\TALIS\SECTIONS\ENGINEERING\PROJECTS\TC25003 - YORK MACARTNEY ST DESIGN\DRAWINGS\1\DRAWINGS\TC25003.DWG  
 Printed by Almond Bester on 21/03/2025 09:06 PM



- LEGEND:**
- EXISTING TREES
  - EXISTING TELSTRA LINE
  - EXISTING DRAINAGE
  - EXISTING WATER LINE
  - EXISTING SEWER LINE
  - EXISTING ELECTRIC POWER
  - EXISTING CENTRELINE
  - EXISTING FENCE
  - EXISTING CONTOUR
  - EXISTING TOP OF BANK
  - EXISTING BOTTOM OF BANK
  - EXISTING SIGNS
  - EXISTING BOLLARDS
  - EXISTING GRATED PITS

**DETAILED DESIGN**  
 NOT FOR CONSTRUCTION



SURVEY REFERENCE: JUROVICH  
 DATE: 19.02.2025  
 VERTICAL DATUM: AUSTRALIAN HEIGHT DATUM  
 HORIZONTAL DATUM: MGA 2020 ZONE 50



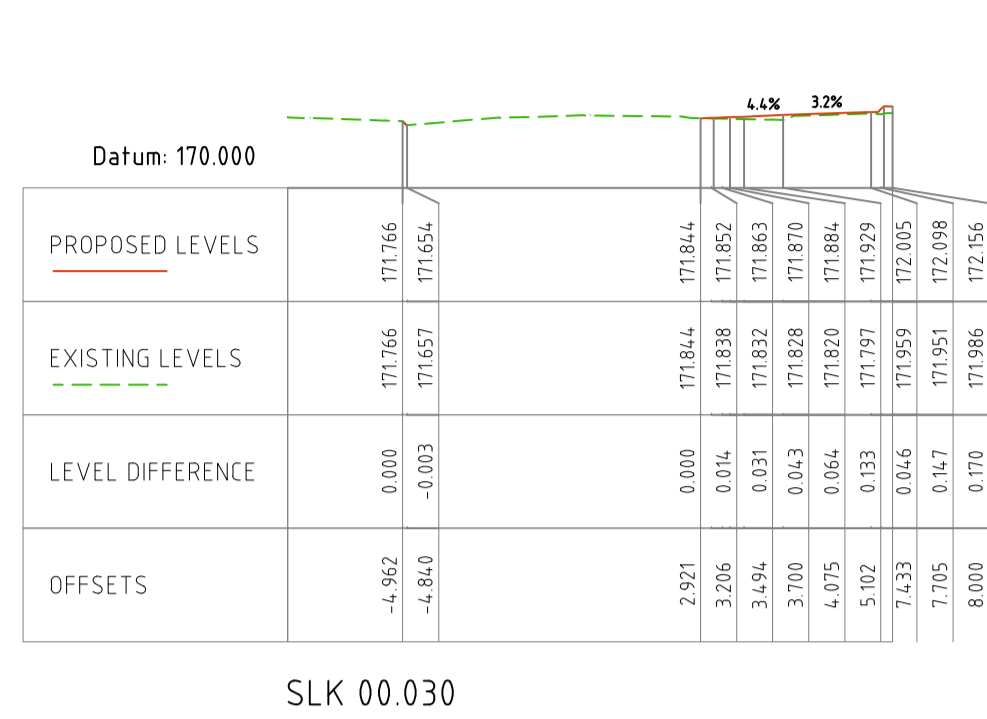
**NOTES**

1. This drawing is the property of Talis Consultants Pty Ltd. It is a confidential document and must not be copied, used, or its contents divulged without prior written consent.
2. DO NOT SCALE, use figured dimensions only, if in doubt please contact Talis Consultants.
3. Parts of this drawing is intended to be IN COLOUR. Black & White Printing may cause errors or omissions. If this text is not GREEN, please contact Talis Consultants.

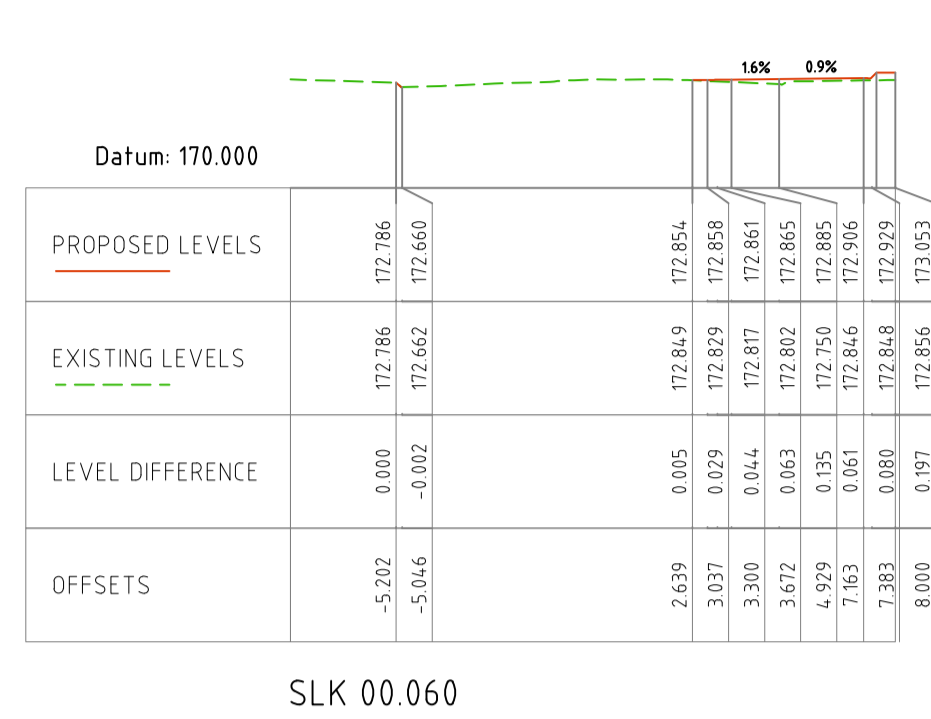
No.	Date	By	Check	Amendment / Issue	App.
C	10.10.2025	AB	PG	DETAILED DESIGN	PG
B	09.04.2025	AB	PG	CONCEPT UPDATED	
A	10.03.2025	JS	AB	PRELIMINARY ISSUE	

Project: YORK MACARTNEY ST DESIGN  
 Title: SWEPT PATHS

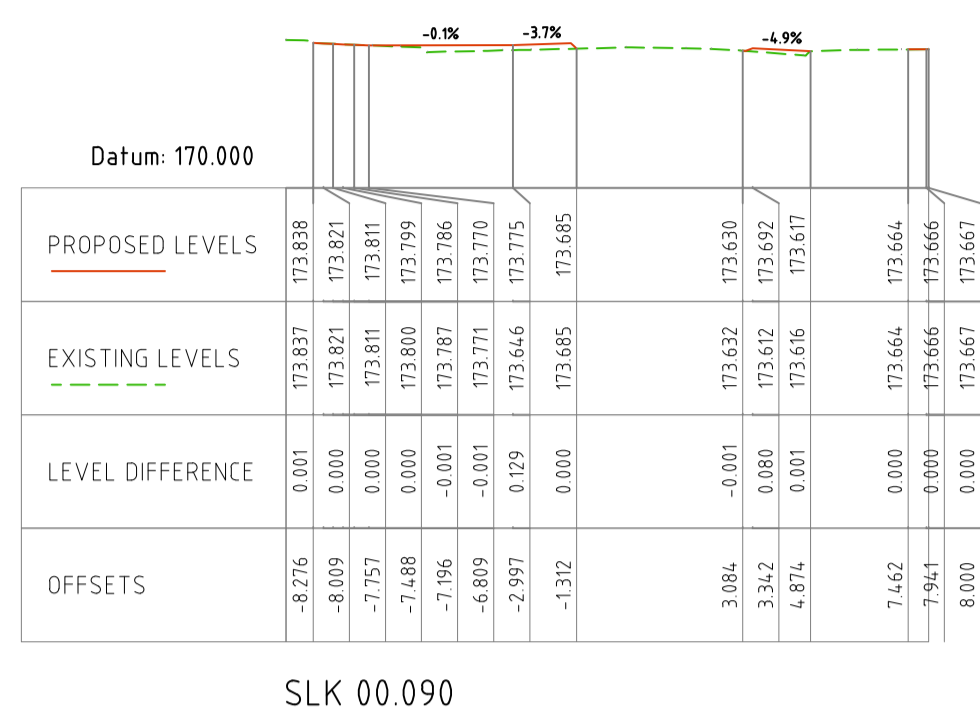
Scale: 1:200 @ A1 Date: 10.03.2025  
 Drawn: JS Checked: AB Approved:  
 Job No: TC25003 Drg. No: C-120 Rev: C  
 Filename: TC25003.DWG



SLK 00.030



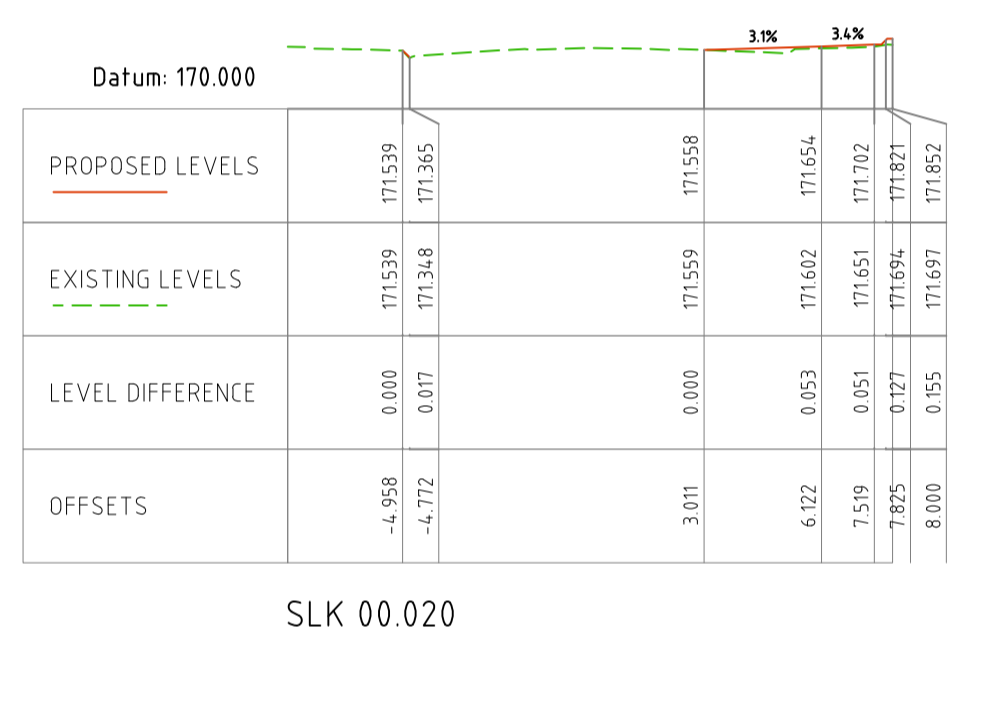
SLK 00.060



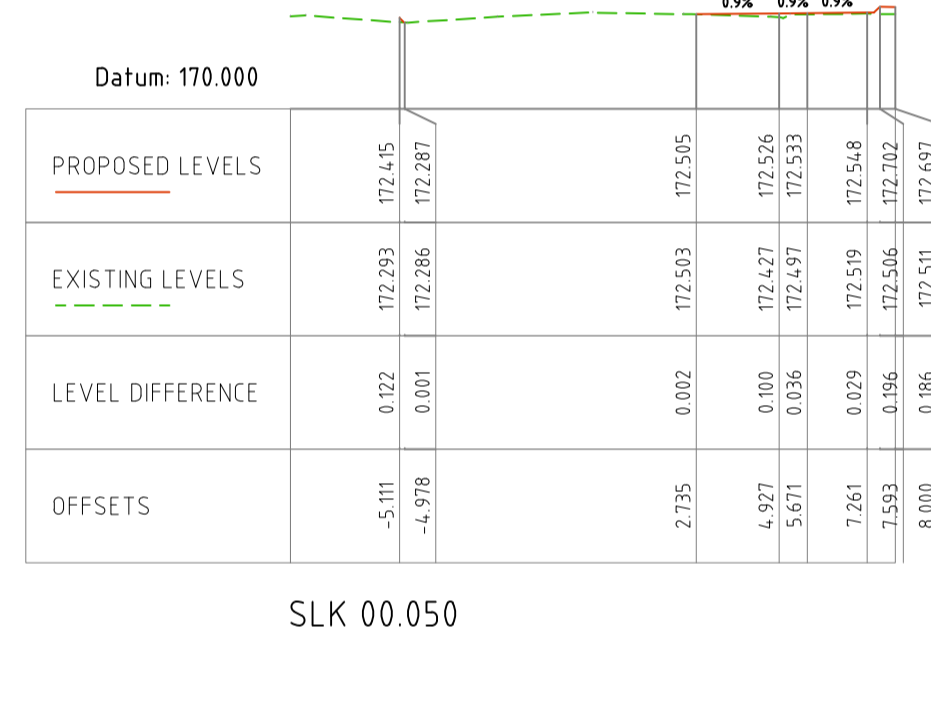
SLK 00.090



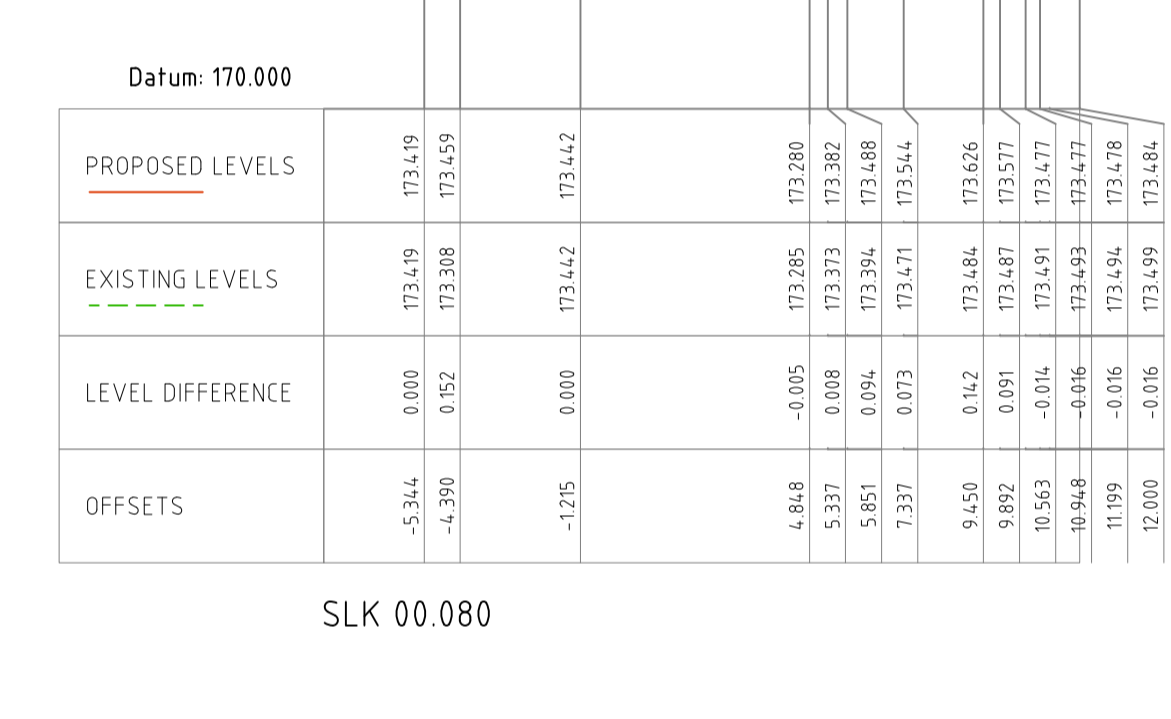
SLK 00.120



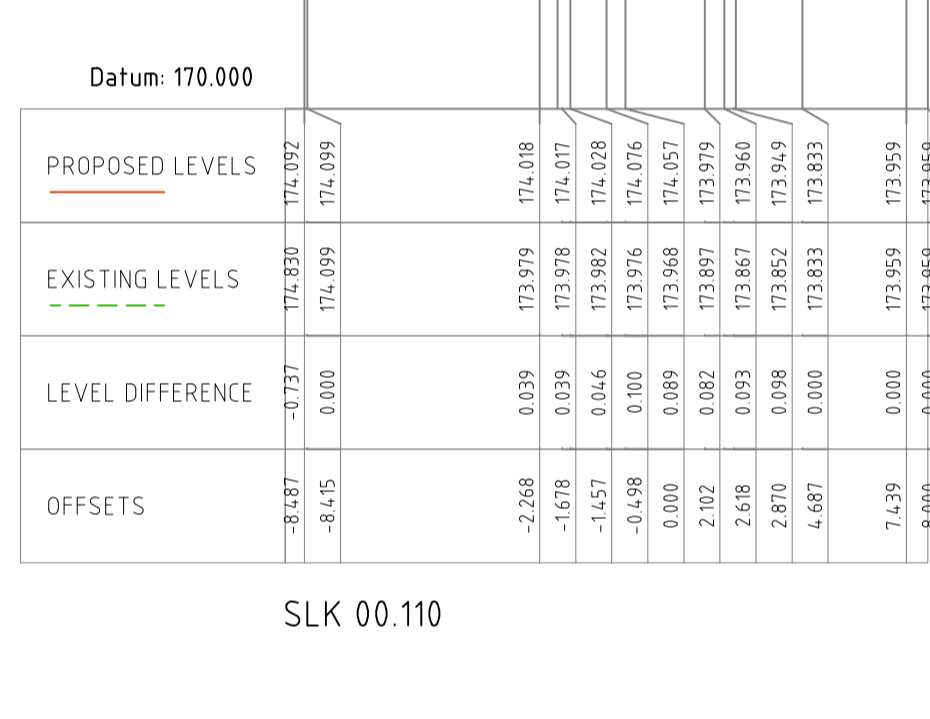
SLK 00.020



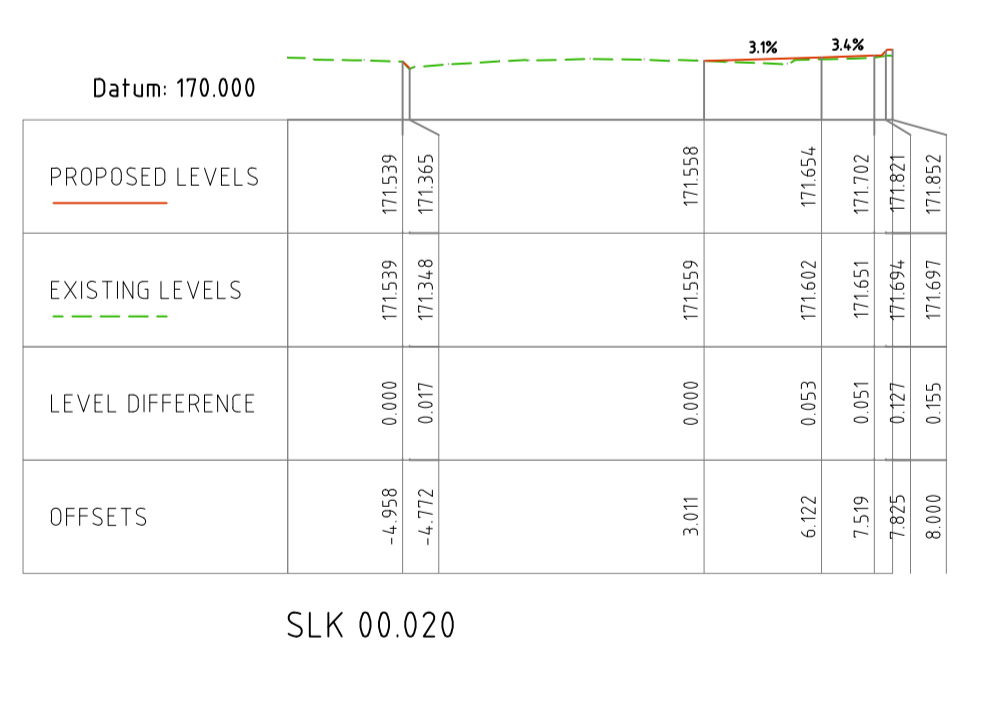
SLK 00.050



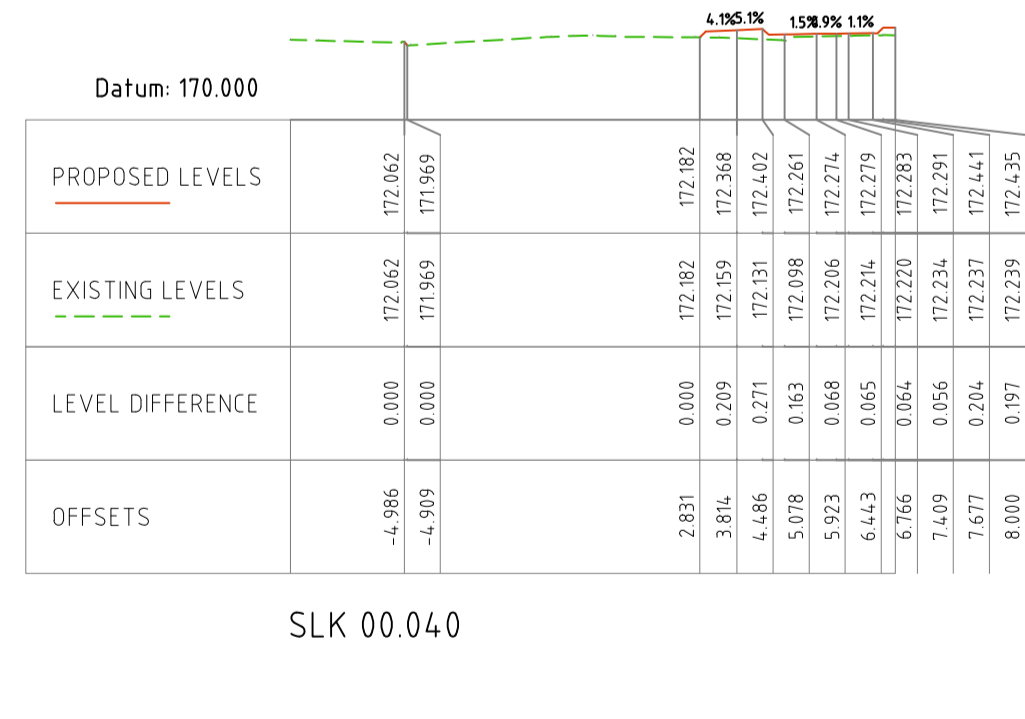
SLK 00.080



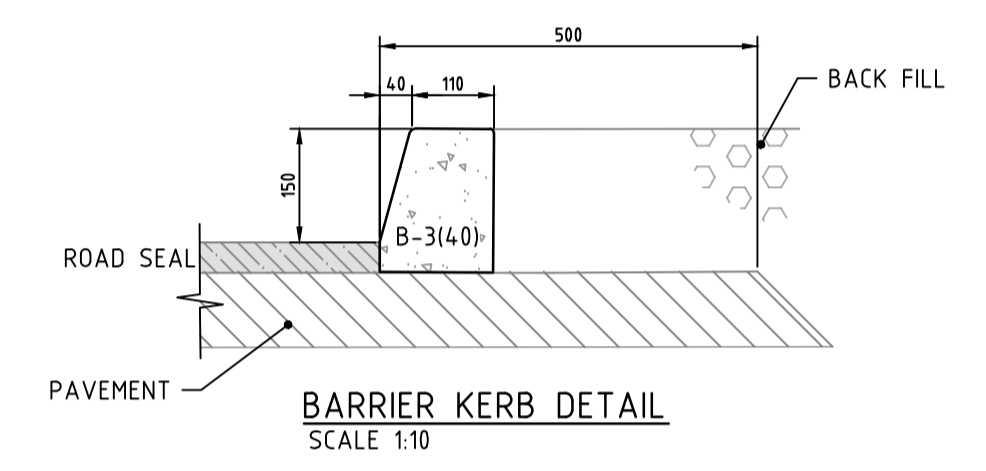
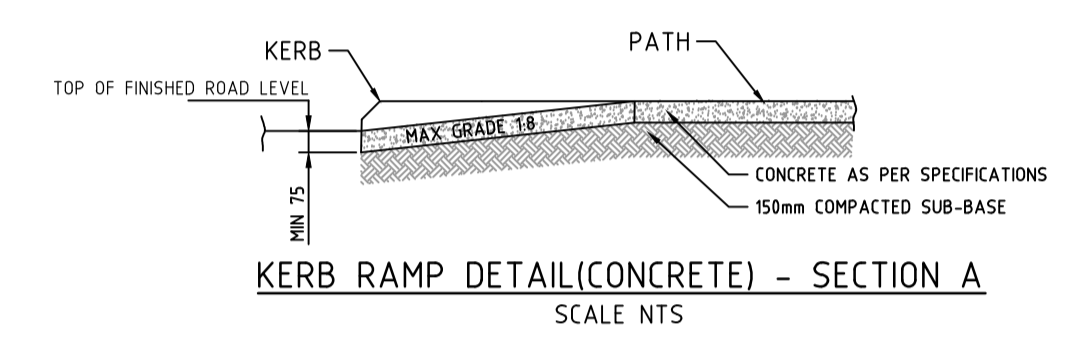
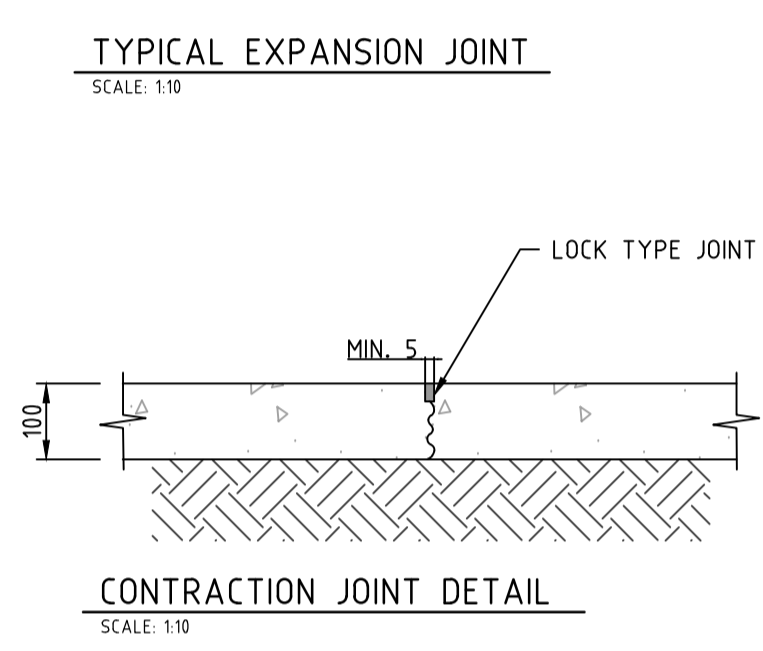
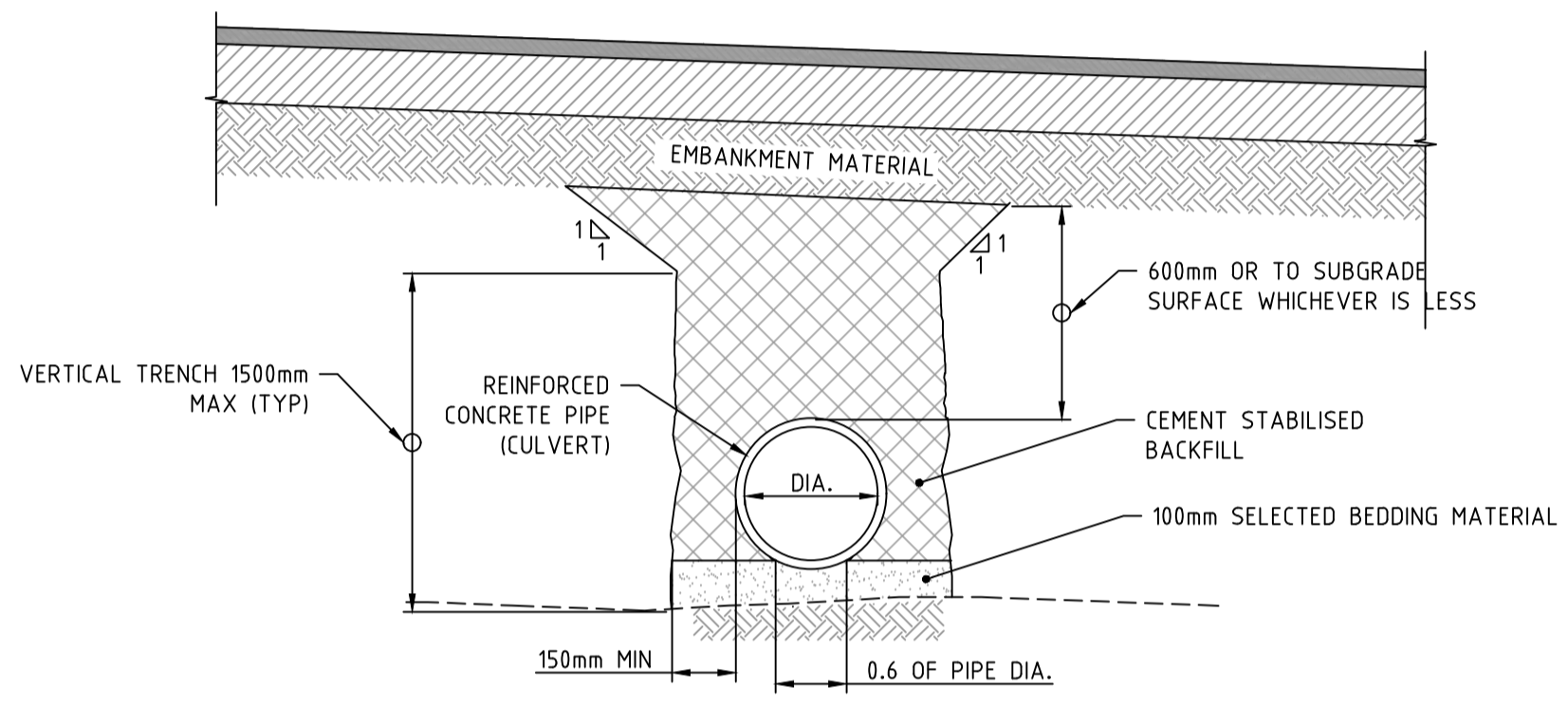
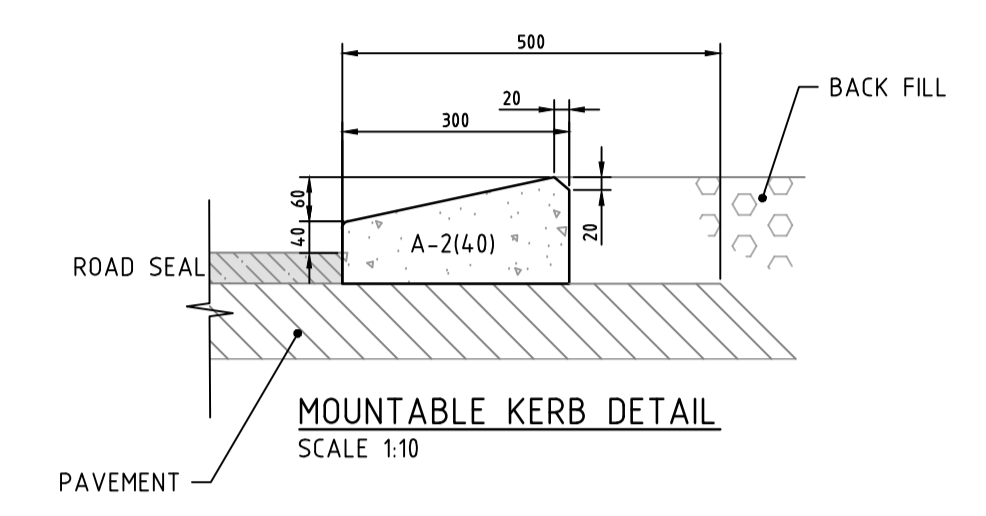
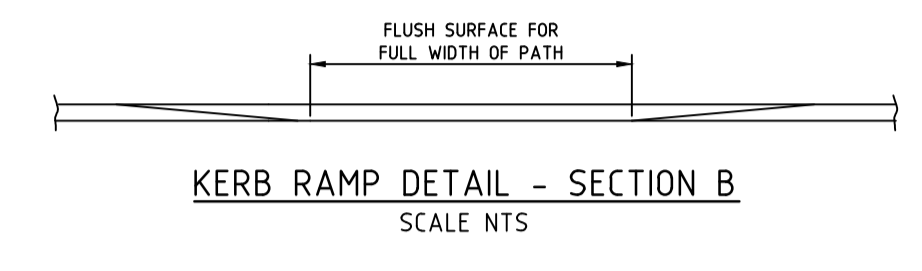
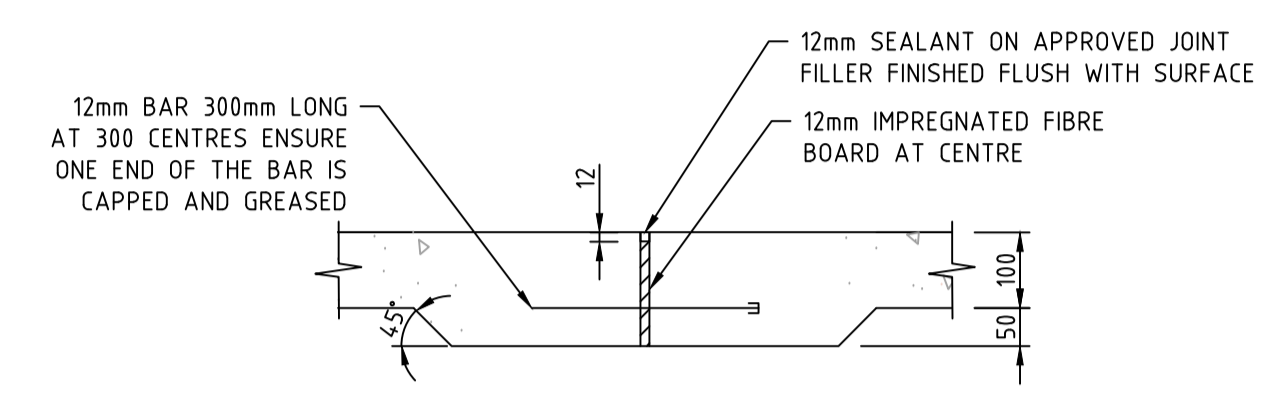
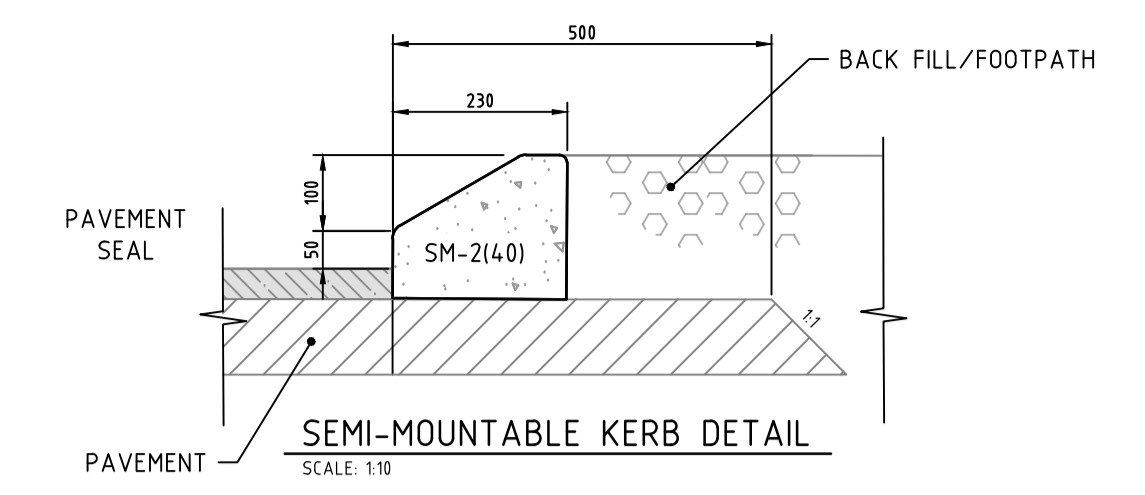
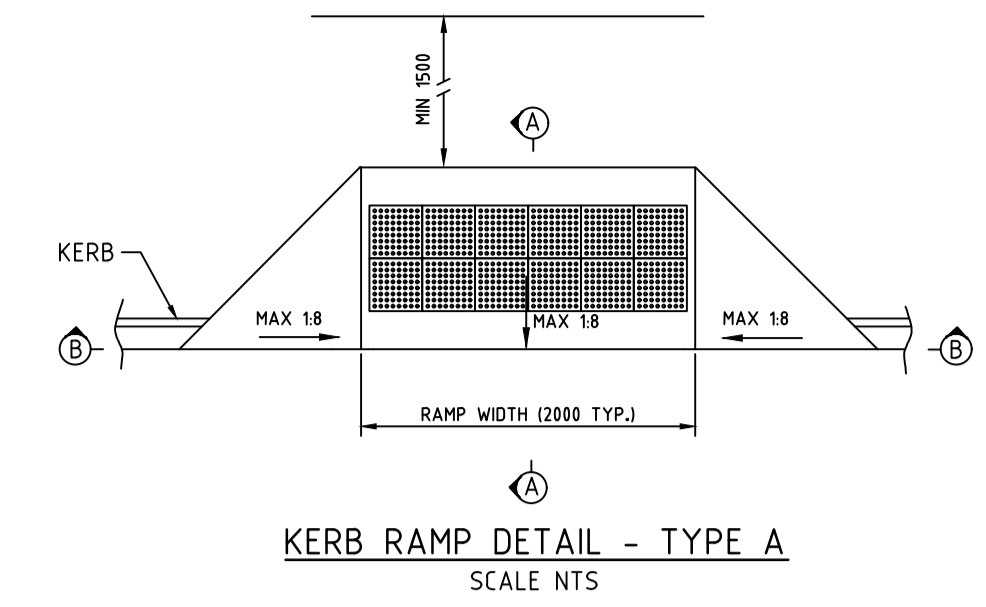
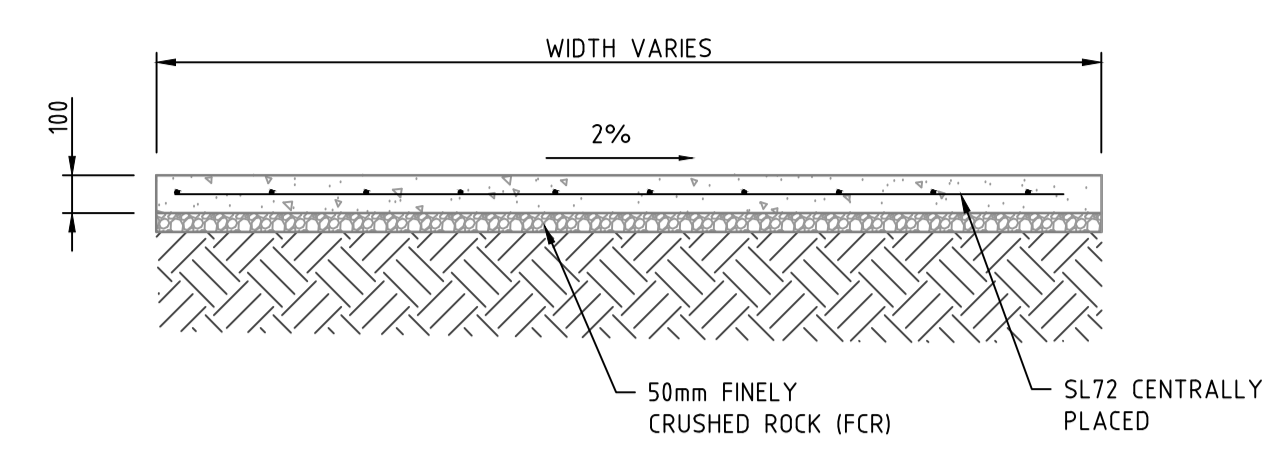
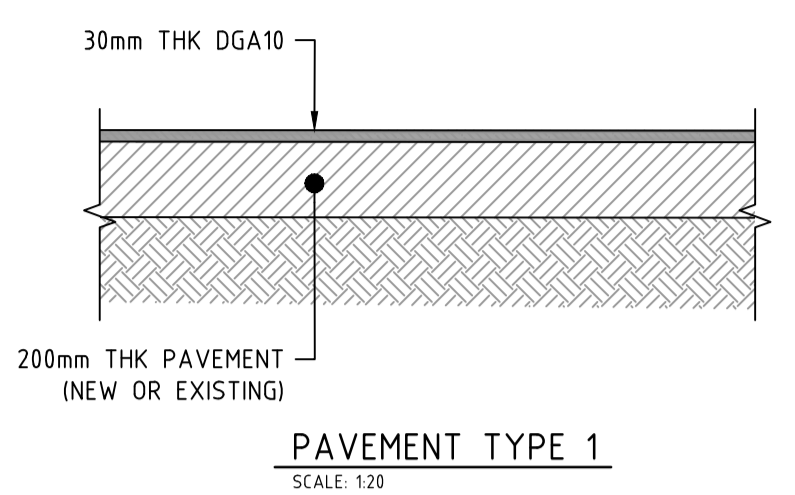
SLK 00.110



SLK 00.020



FILENAME: \\SERVER\TALES\SECTIONS\ENGINEERING\PROJECTS\2025\TC2503 - YORK MACARTNEY ST DESIGN\DRAWINGS\1\DRAWINGS\TC2503-D.DWG  
 Printed by Amanda Bester on 09/10/2025 08:39 PM

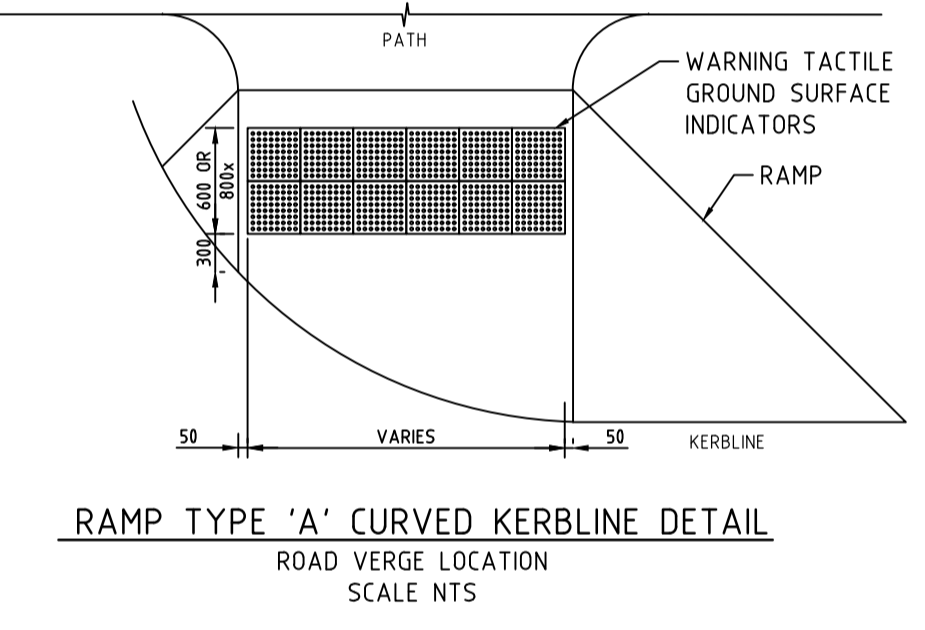


**PIPE INSTALLATION**

- PIPES SHALL BE RUBBER RING JOINTED REINFORCED CONCRETE TO THE CLASSES SHOWN ON THE DRAWINGS.
- CEMENT STABILISED BACKFILL SHALL CONSIST OF BASECOURSE MATERIAL, STABILISED IN THE PROPORTION OF 100KG OF TYPE GP CEMENT TO ONE CUBIC METRE OF UNCOMPACTED BACKFILL MATERIAL.
- SELECT BEDDING MATERIAL SHALL CONFORM TO THE GRADING REQUIREMENTS OF AS/NZS 3725 TABLE 6 HAVING A MAXIMUM LINEAR SHRINKAGE OF 10%.

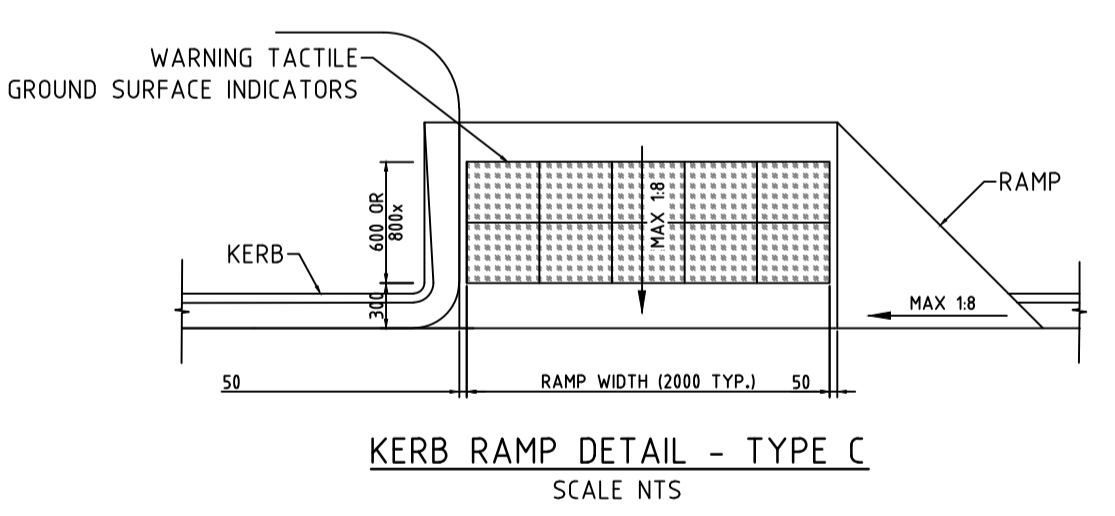
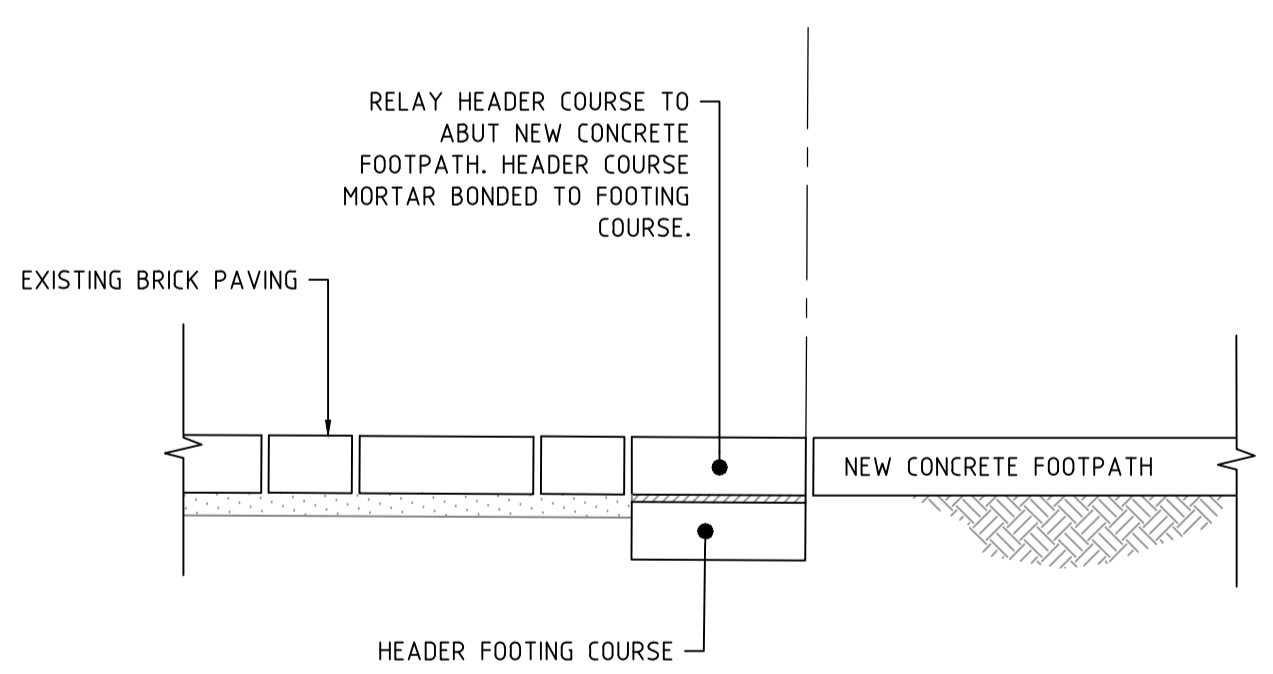
**NOTES:**

- ALL CONCRETE SHALL BE BROOM FINISHED ACROSS THE DIRECTION OF PEDESTRIAN TRAFFIC TO PROVIDE A NON-SLIP SURFACE.
- CONCRETE CLASS SHALL BE N32.
- EXPANSION JOINTS TO BE AT 10m INTERVALS.
- CONTRACTION JOINTS TO BE AT 2.5m INTERVALS.
- FCR TO BE INCREASED TO 75mm IN AREAS OF POOR SUBGRADE.
- FOOTPATH JOINTS SHALL BE PLACED AT THE SAME LOCATION AS KERB JOINTS.
- RED CONCRETE FOOTPATHS SHALL CONTAIN IRON OXIDE RED PIGMENT IN SUFFICIENT PERCENTAGES TO ACHIEVE THE COLOUR DESIRED BY THE PRINCIPAL.



**NOTES:**

- TGSI'S CAN BE EITHER 300 x 300mm OR 400 x 400mm IN SIZE



**NOTES:**

- TGSI'S SHALL:
  - BE AN ORANGE UV-STABILISED INTEGRATED UNIT, WITH A MINIMUM LUMINANCE CONTRAST OF 30% COMPARED TO THE AMOUNT OF LIGHT REFLECTED FROM THE SURFACE OF THE ADJACENT PATH OF TRAVEL.
  - BE TESTED FOR SLIP RESISTANCE IN ACCORDANCE WITH AS 4586 HAVE A RATING OF CLASS R10 OR BETTER UNDER THE OIL WET RAMP TEST CLASSIFICATION.
  - HAVE A MINIMUM BREAKING STRENGTH OF 1100N, TESTED IN ACCORDANCE WITH AS 4459.4.
  - HAVE WATER ABSORPTION (E) < 3%, MEASURED IN ACCORDANCE WITH ISO 10545-3
  - BE IN-BUILT AT THE TIME OF SUBSTRATE CONSTRUCTION, ENSURING THAT THE TGSI IS FLUSH WITH THE SURROUNDING SURFACE SO AS NOT TO CREATE A TRIP HAZARD.
  - BE PLACED PERPENDICULAR TO THE DIRECTION OF TRAVEL WHEN APPROACHING THE HAZARD.

**DETAILED DESIGN**  
 NOT FOR CONSTRUCTION



**NOTES**

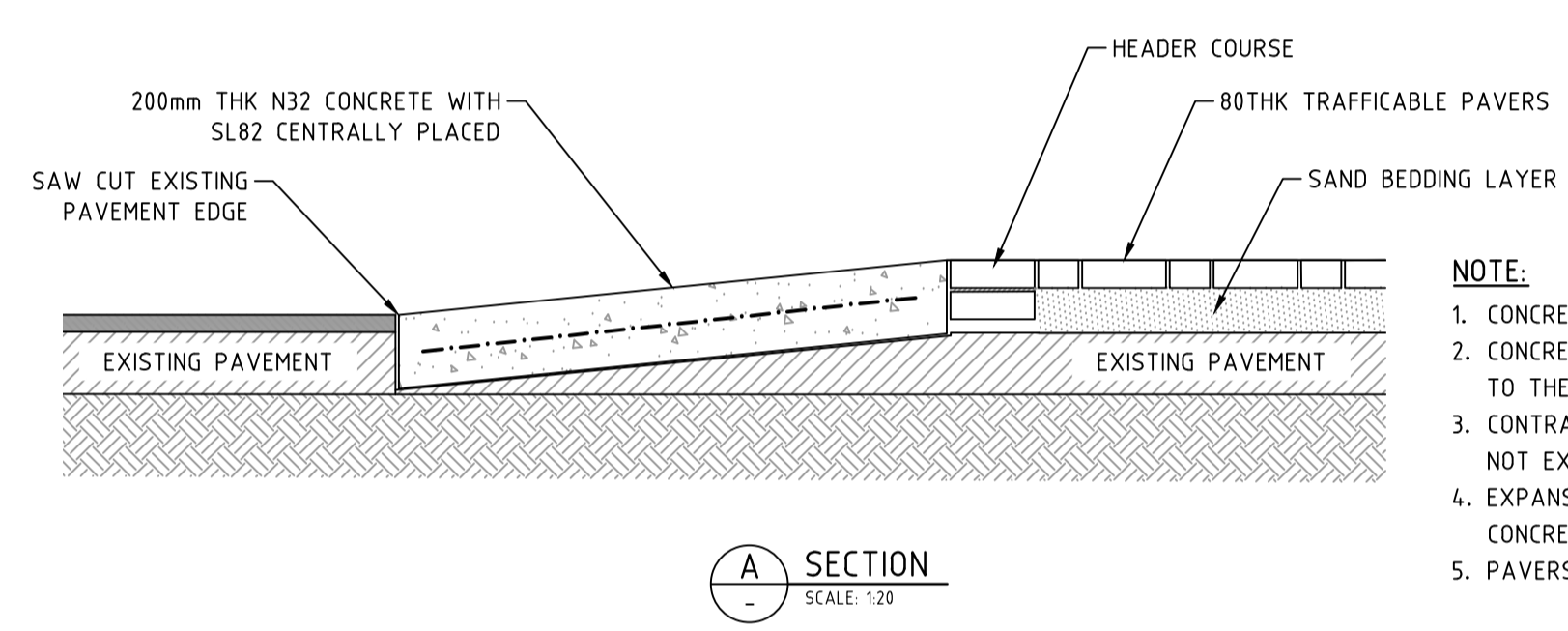
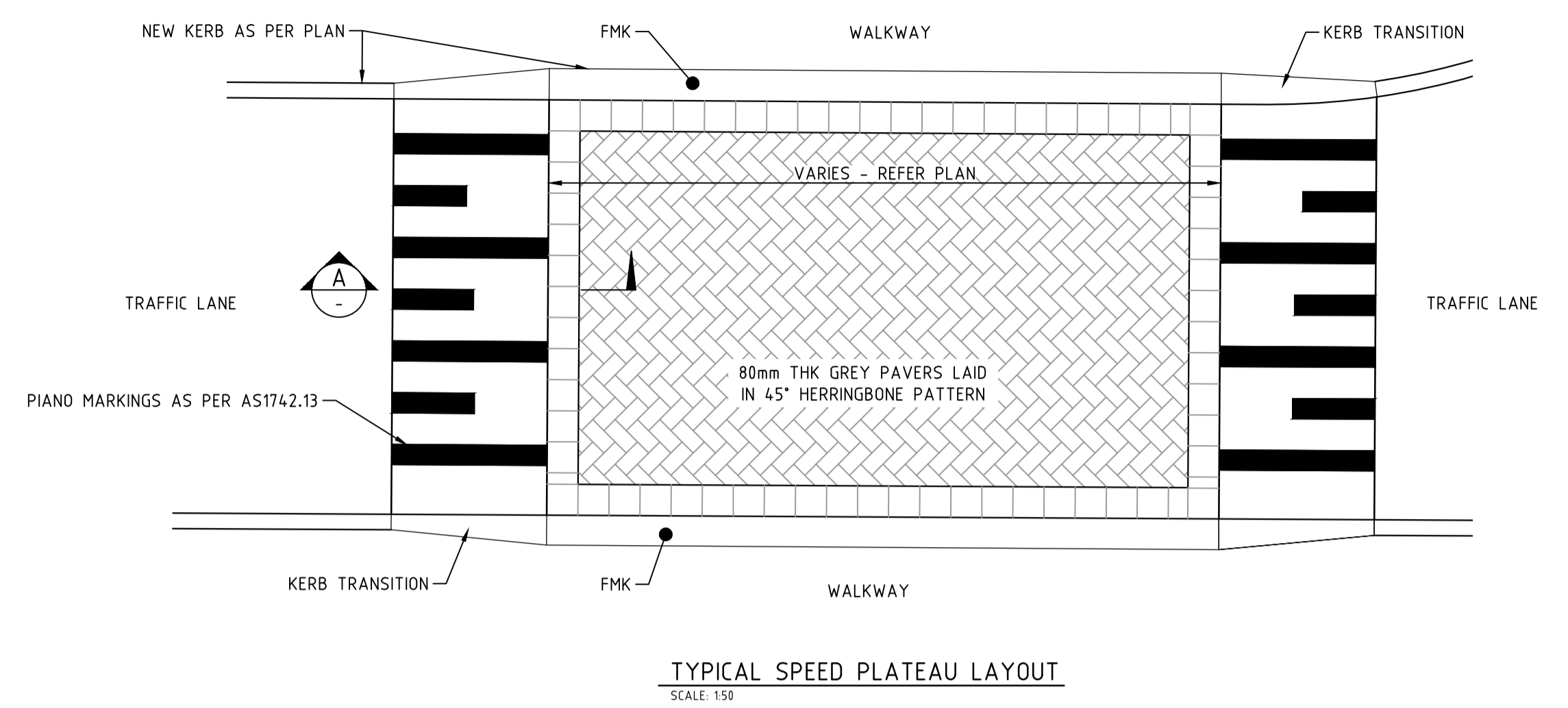
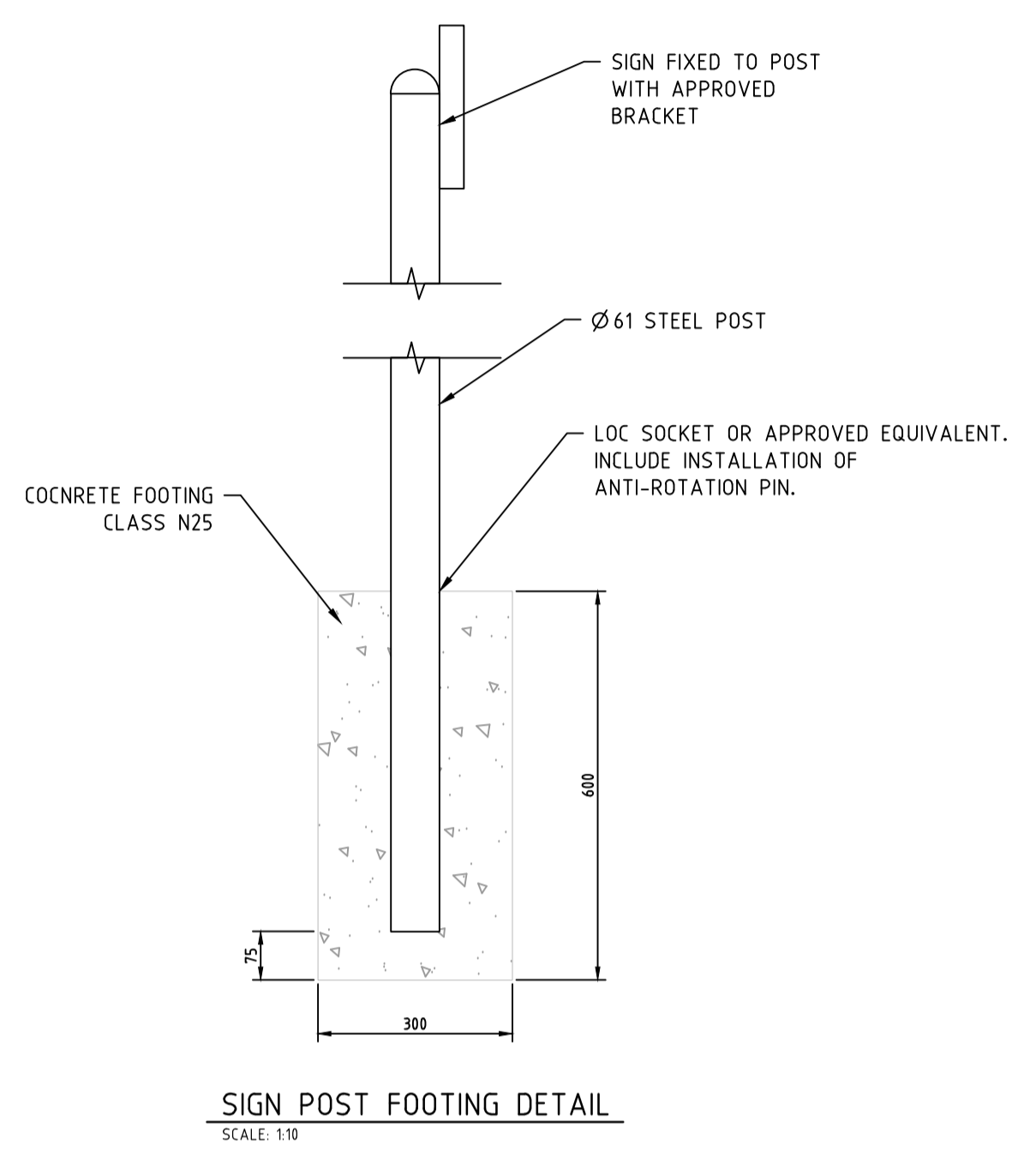
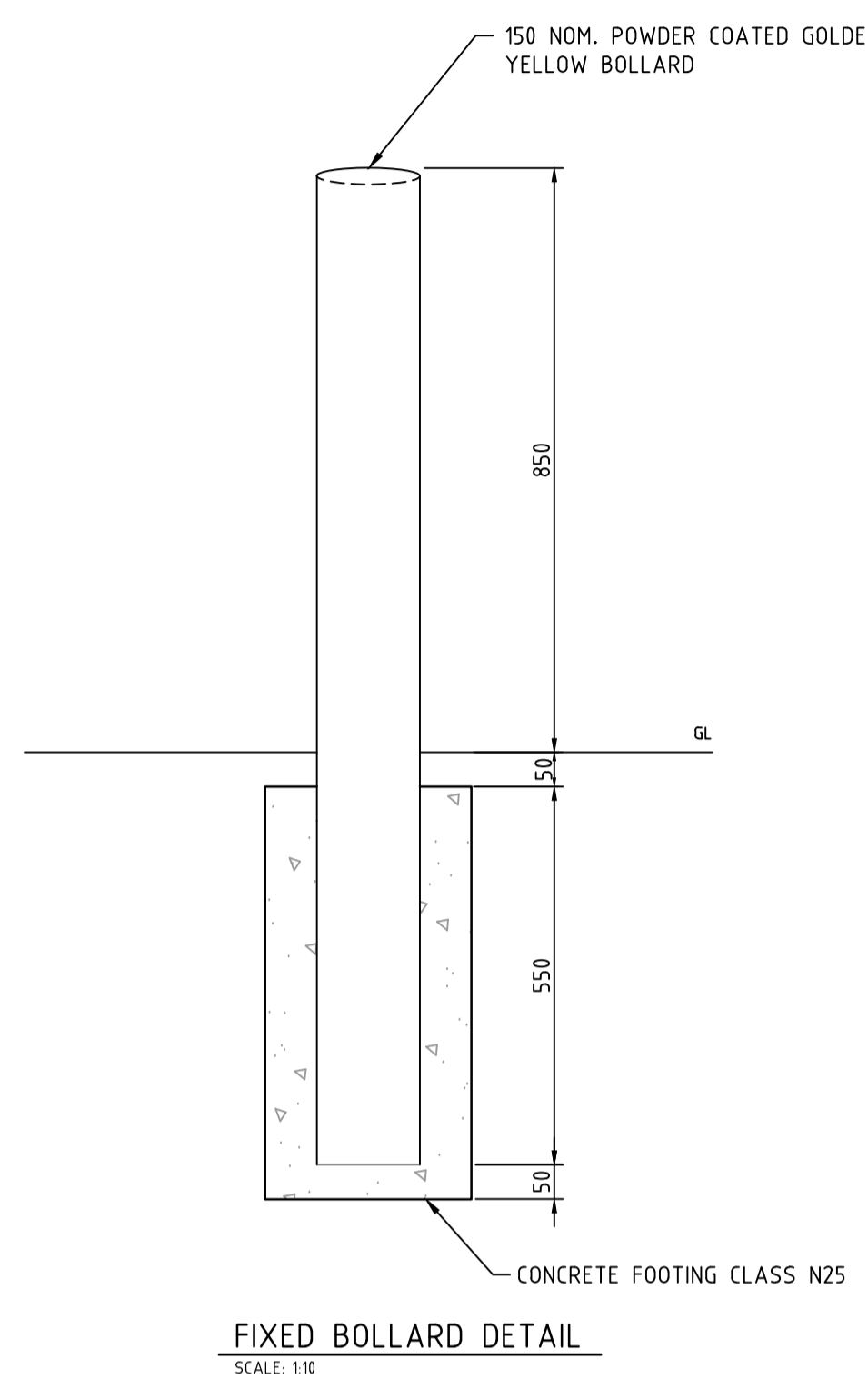
- This drawing is the property of Talis Consultants Pty Ltd. It is a confidential document and must not be copied, used, or its contents divulged without prior written consent.
- DO NOT SCALE, use figured dimensions only, if in doubt please contact Talis Consultants.
- Parts of this drawing is intended to be IN COLOUR. Black & White Printing may cause errors or omissions. If this text is not GREEN, please contact Talis Consultants

No.	Date	By	App.	Amendment / Issue
A	10.10.2025	AB	PG	DETAILED DESIGN

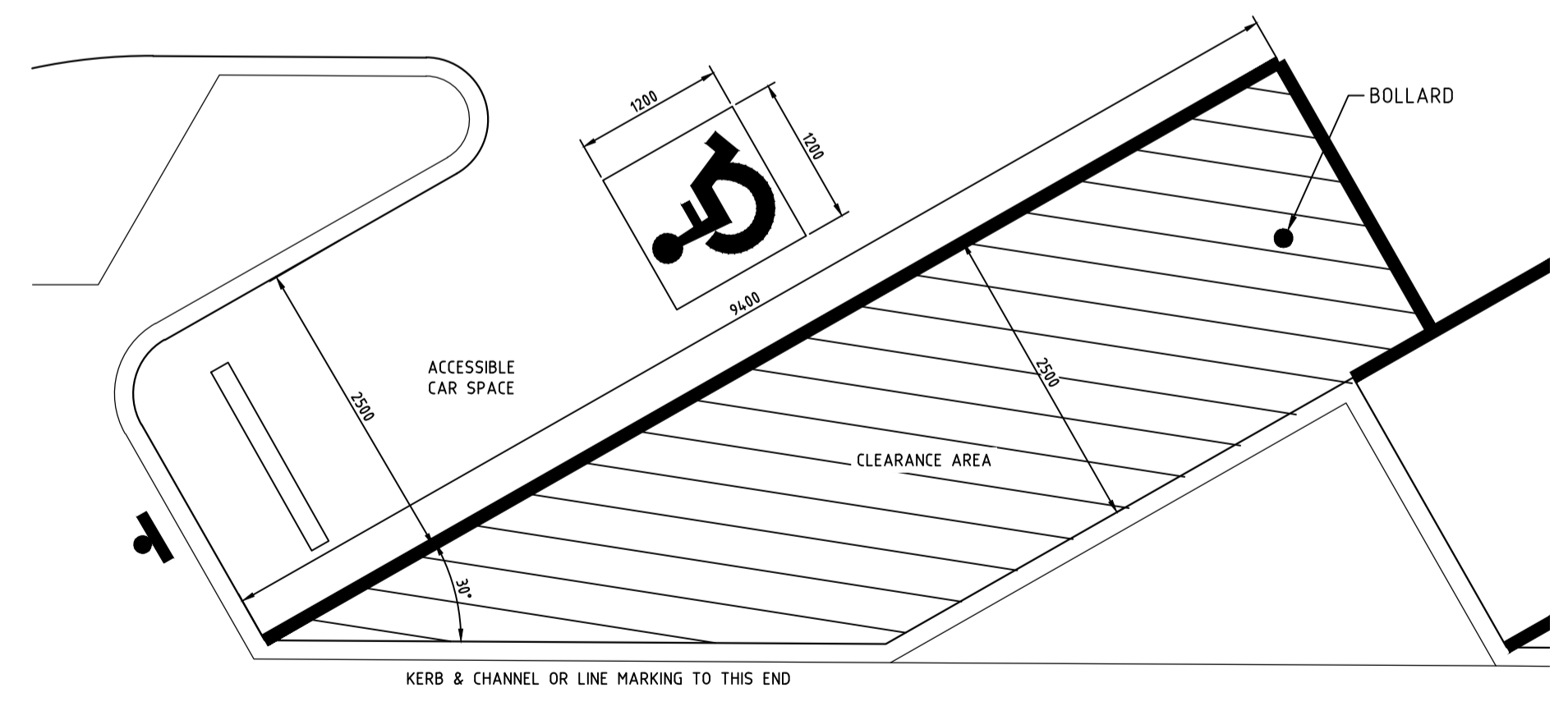
Project: YORK MACARTNEY ST DESIGN

Title: TYPICAL DETAILS SHEET 1

Scale: As Shown @ A1	Date: 10.03.2025	
Drawn: AB	Checked: PG	Approved: PG
Job No: TC25003	Drg. No: C-301	Rev: A
Filename: TC25003-D.DWG		



- NOTE:**
1. CONCRETE SHALL BE N32/20/80.
  2. CONCRETE SHALL BE BROOM FINISHED PERPENDICULAR TO THE DIRECTION OF TRAFFIC FLOW.
  3. CONTRACTION JOINTS SHALL BE FORMED AT SPACINGS NOT EXCEEDING 4m.
  4. EXPANSION JOINTS SHALL BE FORMED WHEREVER THE CONCRETE ABUTS ANOTHER SURFACE.
  5. PAVERS SHALL BE LAID IN A HERRINGBONE PATTERN.



**DETAILED DESIGN**  
NOT FOR CONSTRUCTION

**NOTES**

1. This drawing is the property of Talis Consultants Pty Ltd. It is a confidential document and must not be copied, used, or its contents divulged without prior written consent.
2. DO NOT SCALE, use figured dimensions only, if in doubt please contact Talis Consultants.
3. Parts of this drawing is intended to be IN COLOUR. Black & White Printing may cause errors or omissions. If this text is not GREEN, please contact Talis Consultants.

No.	Date	By	App.	Amendment / Issue	App.
A	10.10.2025	AB	PG	DETAILED DESIGN	PG

Project: **YORK MACARTNEY ST DESIGN**

Title: **TYPICAL DETAILS SHEET 2**

Scale: As Shown @ A1	Date: 10.03.2025	
Drawn: AB	Checked: PG	Approved: PG
Job No: TC25003	Drg. No: C-302	Rev: A
Filename: TC25003-D.DWG		