

MAJOR MOTORS PTY LTD

AS TRUSTEE FOR THE MAJOR MOTORS UNIT TRUST ACN 008 996 174

"The Truck Specialists"
MRB1908 D/L1141

FORRESTFIELD
789 Abernethy Road
Forrestfield WA 6058
Phone: 08 9365 6333
Fax: 08 9365 6366

MALAGA
65 Crocker Drive
Malaga WA 6062
Phone: 08 9249 1740
Fax: 08 9249 7257

O'CONNOR
324 Stock Road
O'Connor WA 6163
Phone: 08 9331 9331
Fax: 08 9331 9339

PORT HEDLAND
14 Murrena Street
Wedgefield WA 6721
Phone: 08 9140 1811
Fax: 08 9140 1966

4 August 2014

Attention: Mr Peter Murray
Shire of York
Email: depot@york.wa.gov.au

Dear Peter

Thank you for your enquiry about the purchase of a new **ISUZU** truck.

ISUZU maintains its position as Australia's best selling truck every year since 1989 and we have set out below the details you have requested:

2014 ISUZU FH FSR 850 Automatic Cab/chassis (FSR CF K14)

Supplied with the following standard features:

- ▶ Max engine power 176kW @ 2400 RPM
- ▶ Max engine torque 706Nm @ 1450 RPM
- ▶ ADR 80/03 (Euro V) emission standard
- ▶ 200 litre capacity steel fuel tank with lockable cap
- ▶ Six speed Allison automatic transmission with adaptive shift
- ▶ Spring park brake
- ▶ ABS and ASR Traction Control
- ▶ 265/70R19.5 Michelin XZE2 tubeless tyres
- ▶ CANBOX – Electrical interface module
- ▶ Heated and powered exterior mirrors with adjustable convex spot mirror
- ▶ Front Underrun Protection Device (FUPD)
- ▶ Driver and passenger airbag
- ▶ Integrated air conditioning
- ▶ Electric windows
- ▶ Cornering lamps
- ▶ Cruise control
- ▶ Digital Audio Visual unit (DAVE) incorporating voice recognition with LCD touch screen and Bluetooth
- ▶ Multi information display on dash
- ▶ Central locking with remote keyless entry and immobiliser
- ▶ Driver's air suspension seat
- ▶ 14000kg GVM
- ▶ 15000kg GCM
- ▶ 3790mm Wheelbase

NETT CAB CHASSIS PRICE

\$ 81,660.00

Supplied with the following additional equipment:

- ▶ 4x2 rigid cab chassis \$ Included
- ▶ Approx 5500kg payload
- ▶ Front and rear spring suspension with double acting hydraulic shock absorbers and stabiliser bar to front \$ Included
- ▶ White cab and body with black chassis \$ Included

▶ ADR 80/03 (Euro V) emission compliant	\$	Included
▶ Six cylinder 7.8L diesel engine with turbo charger and air to air intercooler	\$	Included
▶ 200 litre steel fuel tank with lockable cap	\$	Included
▶ Five speed Allison automatic transmission	\$	Included
▶ Max power (DIN NET) = 176kW @ 2400RPM	\$	Included
▶ Michelin tubeless steel radial tyres with eight stud steel wheels	\$	Included
▶ Spare wheel and tyre assembly, chassis mounted (space permitting)	\$	350.00
▶ Front and rear mudflaps	\$	Included
▶ Cruise control	\$	Included
▶ 40-120km/h adjustable speed warning	\$	Included
▶ Reverse buzzer	\$	Included
▶ Dual circuit air over hydraulic front and rear drum brakes	\$	Included
▶ Factory fitted cab integrated air conditioning	\$	Included
▶ Window tinting	\$	390.00
▶ Seating for driver and two passengers	\$	Included
▶ Driver and passenger SRS airbag	\$	Included
▶ Canvas seat covers	\$	430.00
▶ Steering wheel cover	\$	N / A
▶ Rubber floor mats	\$	170.00
▶ 80 channel two way radio with aerial	\$	800.00
▶ Dual 12v power outlets in cab, cigarette lighter style	\$	280.00
▶ Heated and powered exterior mirrors with adjustable convex spot mirror	\$	Included
▶ Fluorescent type interior light with on/off switch	\$	Included
▶ Radio/CD Digital Audio Visual unit (DAVE) incorporating voice recognition with LCD touch screen and Bluetooth	\$	Included
▶ Extend wheelbase approx 1400mm to suit tipper body	\$	4,250.00
▶ ISUZU PTO switch to suit tipper operation	\$	650.00
▶ Steel two way tipper body approx 5.5m long x 2.5m wide with:		
- 5mm flat steel floor		
- 450mm high dropsides		
- Two way tailgate		
- Tie rails to sides		
- Full cab shield with mesh window		
- Shovel/broom/rake storage on headboard		
- Under body hydraulic ram		
- PTO/pump and hydraulics to suit	\$	24,500.00
▶ Removable steel mulch bin covering entire body, 2m high, with:		
- 1.6mm steel sides and roof		
- Open rear		
- Vents at front and both sides		
- Two amber beacons at rear	\$	6,000.00
▶ Spring return tarp system to cover open rear section	\$	3,550.00
▶ Shire of York logo to cab doors	\$	300.00
▶ Tow bar with 50mm ball and pin	\$	770.00
▶ 24v-12v reducer for tow hitch	\$	380.00
▶ Electric brake controller	\$	660.00
▶ Under body toolbox	\$	900.00
▶ 25 litre water tank under body with soap holder	\$	430.00
▶ Ski bar to cab roof with two amber beacons and switch in cab	\$	1,310.00
▶ 4.5kg dry powder fire extinguisher mounted behind cab	\$	470.00
▶ Parts and workshop internet manual access for up to three users	\$	750.00
▶ Delivery to Shire of York with induction	\$	<u>Included</u>

TOTAL NEW VEHICLE COST	\$129,000.00
10% goods and services tax	\$ 12,900.00
TOTAL NEW VEHICLE COST (inc GST)	\$141,900.00

Less Trade In Evaluation (inc GST)	
2002 Hino Ranger Tipper, Registration Y-641	<u>\$ 33,000.00</u>

TOTAL CHANGEOVER PRICE (inc GST)	\$108,900.00
---	---------------------

Options (ex GST)

▶ Rear tip only in lieu of two way tipping	LESS \$ 3,600.00
--	------------------

Delivery

- | | |
|---------------|--------------|
| ▶ Cab/Chassis | Ex Melbourne |
| ▶ Body work | 8-10 weeks |

24 Hour ISUZU Assist

ISUZU Assist covers you at the roadside 24 hours a day, 365 days a year for 36 months from the date of first registration. ISUZU Assist is delivered throughout Australia from a highly trained team of technicians and recovery operators.

Warranty

All **ISUZU** trucks of this model are covered by a comprehensive manufacturer's warranty for a period of 3 years / 150,000kms / 2,500 hours (whichever comes first).

Additionally we would like to offer you an option to extend the manufacturer's full warranty to a total of five years for \$2,950.00. Please ask for more information.

Service

Major Motors can offer fixed price servicing to suit your needs. Choose from one of the following options.

- ▶ **Scheduled Service** Covers your truck for scheduled servicing as per the manufactures service schedule. This included labour, genuine parts, filters, Oils, fault code analysis, valve clearance adjustments, Wheel bearing re-pack, and all consumables and environment levies.
- ▶ **Scheduled Service Advantage** Same as the "Scheduled Service" Plus: belts, hoses, globes, including headlights, indicator flashers, wiper blades, relays & fuses (Most Popular)
- ▶ **Service Maintenance** Same as the "Scheduled Service Advantage" Plus: Brake linings, drums hydraulics, air system, exhaust brake controls, clutch spring shackles, universal joints, drive centre bearings, repairs to any fuel or air leaks, hub seals, shift cables, batteries, suspension airbags.
- ▶ **Service & Maintenance Advantage** Same as the "Service Maintenance" Plus: Engine bearings, starter motor, alternator, transmission, final drive, differential.

These agreements give you the benefit of one fixed monthly fee that takes care of your maintenance needs. For further information contact Garry Francke' on 0413 704 008 or email gfrancke@majormotors.com.au.

Validity

Prices are subject to variation in line with manufacturer's price list. In the event of any change, the same level of discount shall apply.

Licensing

Major Motors are happy to prepare and license your new vehicle with all associated statutory charges to be passed on to you at cost price.

Settlement

Possession of your new vehicle can only be passed to you after full settlement of all outstanding funds including licensing charges and any other accessories ordered.

Once again we thank you for this opportunity to present this submission and look forward to your early and favourable reply.

Yours sincerely



Lauren Nicholls
Sales Consultant



Frank Johnston
Sales Manager

ISUZU

SPECIFICATIONS

FSR 700 | 850



FSR 700

AUSTRALIA'S TOP SELLING TRUCK BRAND SINCE 1989.

AT A GLANCE

GVM	12,000 / 14,000 kg*
GCM	18,000* / 20,000 kg*
Power	176 kW @ 2,400 rpm
Torque	706 Nm @ 1,450 rpm

* Refer to back page weights table for details

UPGRADE OPTIONS

Premium Pack: Automated Manual Transmission (AMT) or conventional automatic transmission, Auto control for air conditioning, Chrome grille

ADVANCED TECHNOLOGY

Emissions: Euro V / ADR 80/03	Anti Skid Regulator (ASR)
Meets EEV emissions standard	Hill Start Aid (HSA) - except auto model
Driver and passenger airbag with seatbelt pretensioner	Electric mirrors
ADR42 compliant sleeper	Front stabiliser bar
ECE-R29 compliant cab	Cruise control
ECE-R93 compliant front underun protection device (FUPD)	ISRI 6860 seat with integrated seatbelt
Anti-lock Braking System (ABS)	Cornering lamps



THE
one

ISUZU
RELIABILITY IS EVERYTHING

FSR Short Auto | Long | Long Premium AMT |

DRIVELINE AND CHASSIS SPECIFICATIONS

ENGINE: SITEC SERIES III 235 (ISUZU 6HK1-TCN)

Type:	6 cylinder 24 valve SOHC
Displacement:	7,790 cc
Compression Ratio:	17.5:1
Bore x Stroke:	115 mm x 125 mm
Max power (DIN-NET):	176 kW (236 HP) @ 2,400 RPM
(JIS Gross):	182 kW (244 HP) @ 2,400 RPM
Max torque (DIN-NET):	706 Nm (521 lb.ft) @ 1,450 RPM
(JIS Gross):	731 Nm (539 lb.ft) @ 1,450 RPM

Induction system: Electronically controlled variable nozzle turbocharger with air-to-air intercooler.

Fuel injection: Direct injection high pressure common rail system.

Emission control system: Cooled EGR with exhaust Diesel Particulate Diffuser (DPD). ADR 80/03 (Euro V) compliant. EEV compliant.

CLUTCH (MANUAL/AMT TRANSMISSION MODEL)

Standard model:

- Air assisted hydraulically control. Single plate 381 mm diameter.
- Total lining area: 1,363 cm²

Premium Pack AMT:

- Fully automated hydraulically controlled wet clutch and fluid coupling with lock up.

TRANSMISSION

ISUZU MZW-6P (except auto model)

- Synchromesh on gears 2-6. Triple cone synchromesh on 2nd and 3rd gears. Integral oil pump provides full pressure lubrication.
- PTO provision on LHS of transmission case. PTO drive from mainshaft gear.
- Gear ratios (:1)

1st	2nd	3rd	4th	5th	6th	Rev
6.615	4.095	2.358	1.531	1.000	0.722	6.615

Standard model:

- 6 speed manual with air assisted shift.

Premium Pack AMT:

- 6 speed Automated Manual Transmission (AMT) with both fully automatic and clutchless manual operation modes.

ALLISON LCT2500 (auto model)

- 6 speed automatic. 5th generation electronic controls with adaptive shift.
- LHS and RHS PTO openings on transmission case. Torque convertor turbine driven PTO drive gear.
- Gear ratios (:1)

1st	2nd	3rd	4th	5th	6th	Rev
3.51	1.90	1.44	1.00	0.74	0.64	5.09

AXLES

Front: Isuzu F050

- Reverse Elliot I-beam. 5,000 kg capacity.

Rear: Isuzu R090

- Full floating Banjo type. 9,000 kg capacity.
- Drive ratio: 4.875:1 (manual/AMT/short auto model), 5.125:1 (long auto model)

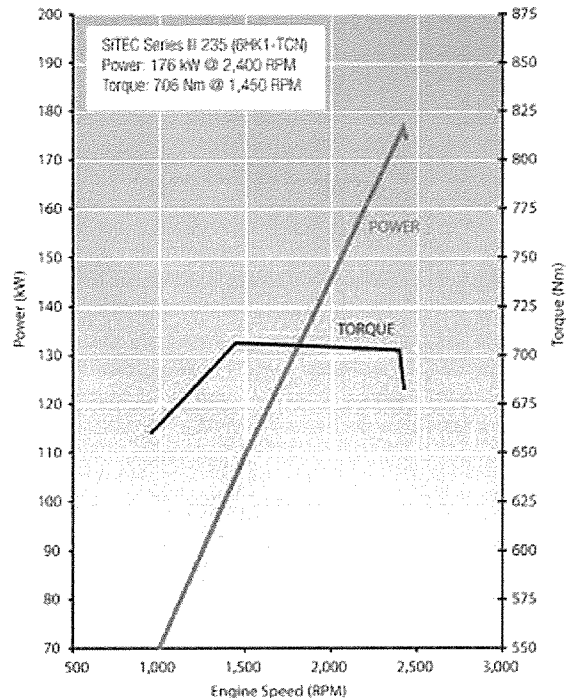
SUSPENSION

Front:

- Single stage alloy steel taper leaf springs.
- Double acting hydraulic shock absorbers. Stabiliser bar.

Rear:

- Multi leaf main spring, multi leaf helper spring.



BRAKES

- Dual circuit air over hydraulic front and rear drum brakes.
- ABS.
- ASR traction control.
- Hill Start Aid (HSA) - except auto model.
- Front drum size: 370 x 150 mm
- Rear drum size: 370 x 150 mm
- Spring park brake.
- Air controlled exhaust brake.
- Air dryer.

STEERING

- Power assisted recirculating ball steering.
- Gear ratio: 16:1 - 18.8:1
- Turns lock to lock: 4.1
- Maximum angle: 44° (inside wheel) / 34° (outside wheel)

WHEELS AND TYRES

- 19.5 x 6.75 eight stud ISO standard steel wheels.
- 265/70R19.5 140/138M Michelin XZE2 Tubeless.
- Maximum tyre rating:
 - Steer axle: 5,000 kg
 - Drive axle: 9,440 kg
- Spare wheel and tyre assembly with winch type carrier.

CHASSIS FRAME

- Cold rivetted ladder frame with parallel side rails. HT540A high tensile weldable steel sidemembers.
- Frame dimensions:
 - Side rail (mm): 225 x 70 x 6.0
 - Rear frame width (mm): 840

Long Premium Auto | X-Long Premium

FUEL TANK

- Frame mounted 200L steel fuel tank.
- Lockable fuel cap.

ELECTRICAL SYSTEM

- 24 volt electrical system.

- 60 amp alternator (except FSR short auto). 90 amp alternator (FSR short auto).
- 24 Volt, 4.5 kW starter motor.
- 2 x 115E41L (651 CCA) batteries connected in series.
- Underdash CAN interface unit and connector. SAE J1939 protocol. Facilitates connection to a Fleet Management System (FMS) (not supplied).

CABIN SPECIFICATIONS AND APPOINTMENTS

CAB EXTERIOR

- All steel construction. High tensile steel used for cab underframe. Manual cab tilt to 45° with torsion bar assistance.
- Complies with ECE-R29 cab strength standard.
- Liquid filled front and rear cab mounts.
- Heavy duty non slip entry steps.
- 90° opening internally reinforced front doors.
- Water spray suppression guards and front mudflaps.
- Laminated windscreen with shade band.
- Two speed windscreen wipers, with intermittent wipe mode.
- Halogen multi-reflector headlamps incorporating turn signals. Additional door mounted integrated side indicator/cornering lamps.
- Combination brake, turn, reverse and marker lamps, registration plate illumination lamps. Extended wiring harness. Reverse alarm.
- Roof-mounted clearance lamps.
- Heated and powered exterior main mirrors with flat glass and additional powered convex "spot" mirrors.
- **Except Premium Pack:** Body coloured grille. **Premium Pack:** Chrome grille.
- FUPD underbar - complies with ECE R93.
- Body coloured steel air dam bumper with front foglamps.

CAB INTERIOR

- Isri 6860 air suspension driver's seat with pneumatic lumbar support, height, rake and automatic weight adjustment.
- Front passenger adjustable bucket seat and front centre seat with folding seat back.
- 3-point lap sash seatbelts in all outboard seating positions. Driver seatbelt with pretensioner integrated with driver seat. Outboard front passenger seatbelt fitted with pretensioner. Centre seat lap belts.
- ADR42 compliant sleeper.
- Driver and outboard front passenger airbag.
- **Premium Pack:** Driver's footrest.
- Door and roof pillar entry assist grips.
- Full interior trim, padded roof lining and vinyl floor covering. Driver and passenger windscreen header storage shelf.
- Tilt/Telescopic adjustable steering column, soft feel urethane steering wheel.
- Electric windows.
- Central locking with remote keyless entry and immobiliser.
- Twin cup holders. 24V cigarette lighter. Dashboard hook.
- Front door mounted storage pockets and driver's side ashtray.
- Centre console box with storage tray. Fold down storage tray behind centre seat backrest.
- Fully integrated air conditioning and heater/demister with 4-speed fan and outlets for windscreen, side windows, face and floor. **Except Premium Pack:** Manual control. **Premium Pack:** Auto control.
- Fluorescent type interior lamp with On/Door/Off switch.
- 2 DIN, two speaker radio/CD/DVD Digital Audio Visual Entertainment (DAVE) unit with 6.2" LCD touch screen DAB+ digital radio and fully integrated Bluetooth with voice recognition. 4GB internal storage for music files. USB/SD card and auxiliary input connection provisions.

- DIN sized compartment for storage or for CB radio installation.

DRIVER CONTROLS

- Key-operated engine start/stop and steering lock. Engine idle speed control.
- HSA slow/fast engagement control and on/off switch - except auto model.
- ASR on/off.
- DPD regeneration.
- **Premium Pack AMT:** AMT slow/fast gear engagement control, 1st gear start and normal/economy gear selection modes.
- T-bar gear selection control (auto/Premium Pack auto model).
- **Left side combination stalk:** Windscreen wipers, washers and exhaust brake.
- **Right side combination stalk:** Turn signals, headlamps and cruise control.

INSTRUMENTATION

- Electronically driven speedometer and tachometer. Digital odometer with integrated dual tripmeter. Engine coolant temperature, fuel level and air pressure gauges.
- **Warning lamps:** Check engine, oil pressure, ABS, SRS airbag, alternator charge, service brakes, park brake, seatbelt unfastened, low air pressure, low fuel level, cab lock. **Premium Pack AMT:** Check AMT.
- **Indicator lamps:** HSA (except auto model), warm up system, high beam, ASR, DPD status, exhaust brake, turn signals, cruise control. **Premium Pack AMT:** Econo-mode, 1st gear start.
- **Premium Pack AMT:** Gear selection display.
- Multi-information display. Shows service interval, instantaneous and average fuel consumption, DPD bar chart, hourmeter, voltmeter, time/day/date and includes 40-120 km/h adjustable vehicle speed warning.

OPTIONS AND GENUINE ACCESSORIES

Include the following (extra cost, request a brochure and further details from your Isuzu dealer):

Digital Audio Visual Entertainment unit:

- Isuzu satellite navigation including three years of free upgrades.
- Up to four reversing cameras - one with audio for reversing. Reversing sensors.
- Tyre pressure monitoring system.
- Cables for full iPod / iPhone / iPad compatibility and connection to other external audio visual devices.

Other:

- Airbag compatible bullbar.
- Air deflector.

ISUZU CARE

Isuzu Care gives truck owners access to products and services including Roadside Assist, Service Agreements, Extended Care, Extended Isuzu Assist and the Isuzu Care Centre. Call 1800 035 640.

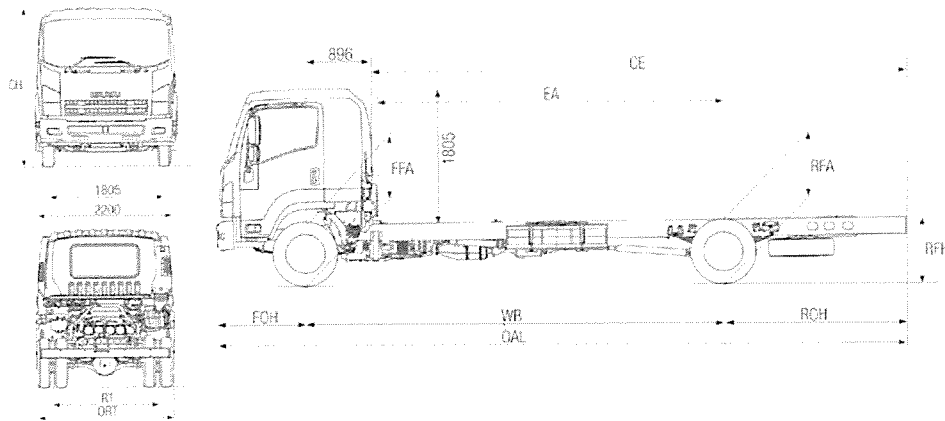
ISUZU

SPECIFICATIONS

WEIGHTS (kg)							
Models	Ratings*		Loading Limit* (at ground)		Cab Chassis Mass #		
	GVM	GCM	Front	Rear	Front	Rear	Total
FSR 700 / 850 Short Auto	12,000 / 14,000**	18,000** / 20,000**	5,000	9,000	2,425	1,395	3,820
FSR 700 / 850 Long	12,000 / 14,000	18,000 / 20,000	5,000	9,000	2,500	1,440	3,940
FSR 700 / 850 Long Premium AMT	12,000 / 14,000	18,000 / 20,000	5,000	9,000	2,515	1,445	3,960
FSR 700 / 850 Long Premium Auto	12,000 / 14,000**	18,000** / 20,000**	5,000	9,000	2,575	1,465	4,040
FSR 700 / 850 X-Long Premium AMT	12,000 / 14,000	18,000 / 20,000	5,000	9,000	2,590	1,525	4,115

* Vehicle ratings and front/rear weight limits are subject to government regulatory requirements and weight distribution analysis. Consult your Isuzu dealer to select the correct vehicle for your specific application.
 ** Pre-approved ratings as stated apply for general transport and distribution applications. For other applications approval from Allison is required. For example, GVM and GCM limits of 12,000kg apply for refuse application.
 # Cab chassis only as supplied and including 10 litres of fuel.

DIMENSIONS (mm)													Turn Circle (m)
Models	WB	OAL	FOH	ROH	EA	CE	RT	ORT	CH	FFA (unladen)	RFA (unladen)	RFH (unladen)	KERB TO KERB
FSR 700 / 850 Auto	3,790	6,555	1,170	1,595	2,770	4,490	1,705	2,215	2,665	745	885	940	13.6
FSR 700 / 850 Long	5,560	9,155	1,170	2,425	4,575	7,090	1,705	2,215	2,665	745	885	940	19.9
FSR 700 / 850 X-Long	6,560	10,705	1,170	2,975	5,575	8,640	1,705	2,215	2,665	750	880	935	23.5



PERFORMANCE (calculated - typical paved road)				
		Geared Speed* (top gear at peak power engine RPM)	Low Speed Gradeability (lowest forward gear assuming no wheel slip)	Engine Speed (top gear at 100km/h)
FSR 700	At 12,000 kg GVM	108 km/h @ 2,400 RPM	41%	2,215 RPM
FSR 700 Short Auto	At 12,000 kg GVM	122 km/h @ 2,400 RPM	34%	1,965 RPM
FSR 700 Long Auto	At 12,000 kg GVM	116 km/h @ 2,400 RPM	36%	2,065 RPM
FSR 850	At 14,000 kg GVM	108 km/h @ 2,400 RPM	35%	2,215 RPM
FSR 850 Short Auto	At 14,000 kg GVM	122 km/h @ 2,400 RPM	29%	1,965 RPM
FSR 850 Long Auto	At 14,000 kg GVM	116 km/h @ 2,400 RPM	31%	2,065 RPM

* Maximum speed achievable depends on vehicle frontal area as well as other factors. Consult your Isuzu dealer for more detailed information. FSR 850 models speed limited to 100km/h.

ISUZU WARRANTIES		ORDER CODES		Model	Code
STANDARD¹		Model	Code	FSR 700 / 850 X-Long Premium	FH-FSRDF-J14
New Vehicle	3 years • 150,000km • 2,500 hours	FSR 700 / 850 Short Auto	FH-FSRDF-K14		
Cab Perforation Corrosion	3 years • unlimited km's	FSR 700 / 850 Long	FH-FSRDF-D14		
Isuzu Assist: 24 hour roadside assistance (3 years, unlimited km's)*		FSR 700 / 850 Long Premium AMT	FH-FSRDF-Z14		
EXTENDED CARE²		FSR 700 / 850 Long Premium Auto	FH-FSRDF-N14		
Extended Warranty: 5 years • 300,000km • 5,000 hours					
Isuzu Assist: 24 hour roadside assistance (5 years, unlimited km's)					

¹ Subject to the conditions outlined in the IAL New Vehicle Warranty, the Isuzu FSR models carry a standard factory warranty which covers the owner: (i) for the entire vehicle, for the first 36 months or 150,000 km or 2,500 hrs (whichever comes first), (ii) against cab perforation corrosion, for 36 months and unlimited kilometres. ² Extended Warranty as illustrated may be purchased to cover the owner against the failure of original components, but may exclude some components and expendable items such as oil, filters, etc. *Valid for three years from the date of new vehicle purchases. All Isuzu warranties are subject to mandatory prescribed terms under Australian Consumer law including customer guarantees. For more details visit the Isuzu website which explains Isuzu warranties in more detail, or alternatively contact your local dealer. All warranties commence from date of delivery.

ISUZU AUSTRALIA LIMITED ABN 97 006 962 572 ("IAL"). The information in this spec sheet was correct at time of printing, but all measurements, specifications and equipment are subject to change without notice. Some equipment may have been changed and/or is available at extra cost. IAL may make changes at any time without notice, in prices, colours, materials, equipment and models. IAL makes all reasonable attempts to ensure the availability of all vehicles and equipment. The information in this spec sheet is general in nature. Your Isuzu dealer can confirm all measurements, specifications and vehicle / equipment availability upon request. To the extent permitted by the law, IAL is not liable to any person as result of reliance on the content of this spec sheet.
 March 2014. ARK0736

THE
one

ISUZU
RELIABILITY IS EVERYTHING